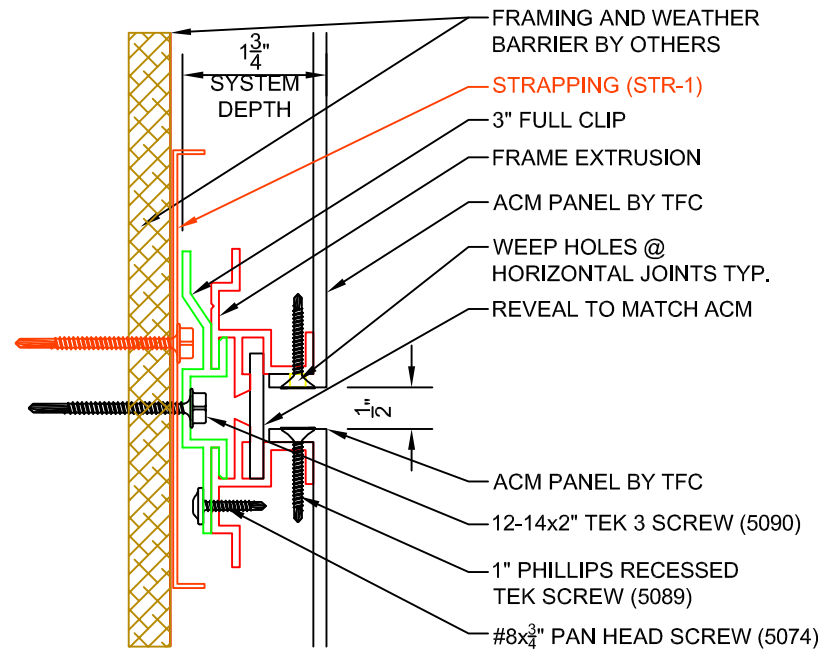




TFC SERIES 2000-DRY RAIN SCREEN SYSTEM

1107 N. TAYLOR RD. - GARRET, IN 46738
 P: 800-832-3212 F: 260-357-6533

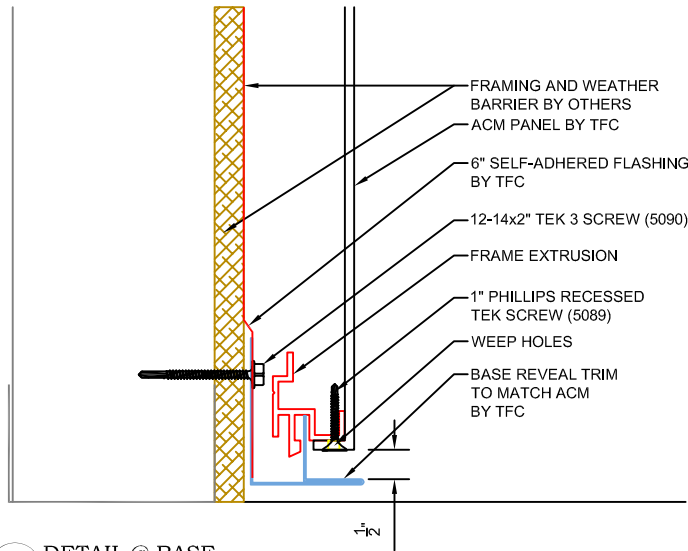


1 TYPICAL DETAIL @ JOINT/VERTICAL AND HORIZONTAL
 0 SCALE: 6" = 1' - 0"

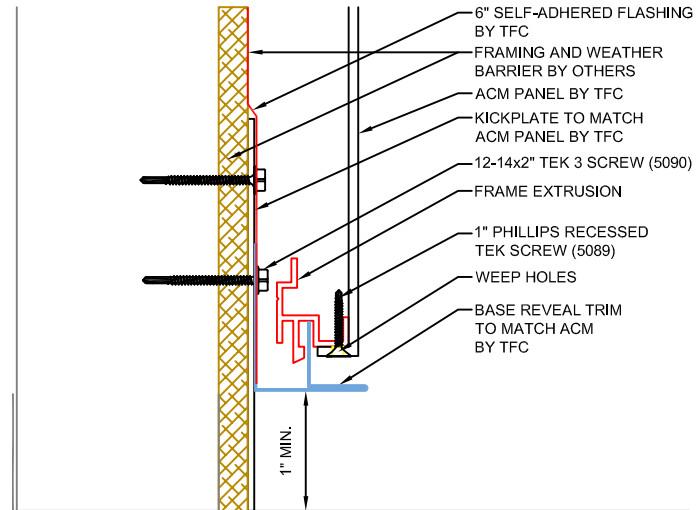


TFC SERIES 2000-DRY RAIN SCREEN SYSTEM

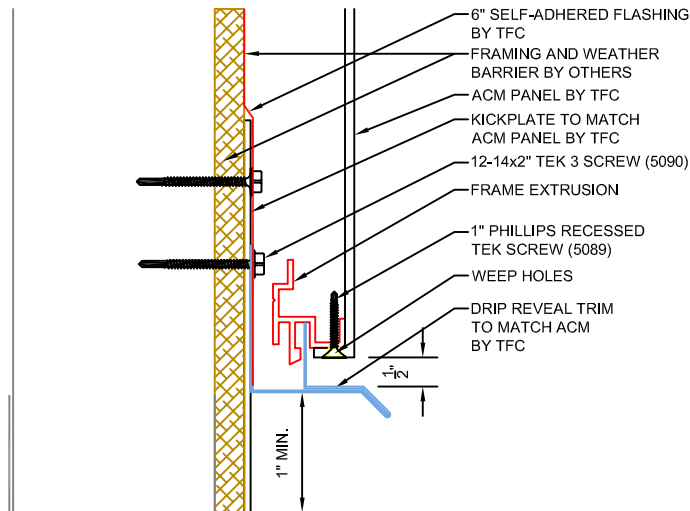
1107 N. TAYLOR RD. - GARRET, IN 46738
 P: 800-832-3212 F: 260-357-6533



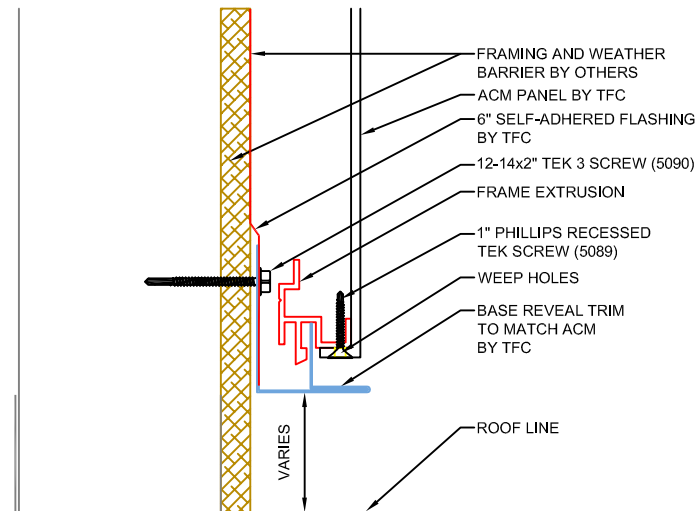
1
0
DETAIL @ BASE
SCALE: 6" = 1' - 0"



2
0
DETAIL @ BASE WITH KICKPLATE
SCALE: 6" = 1' - 0"



3
0
DETAIL @ BASE WITH KICKPLATE
SCALE: 6" = 1' - 0"

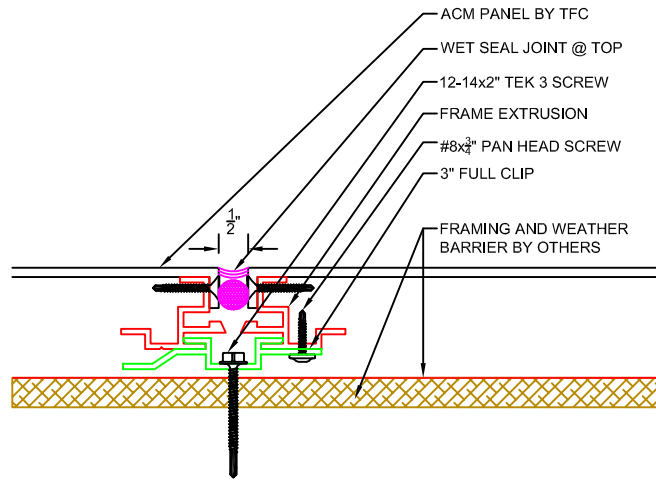


4
0
DETAIL @ ROOF BASE
SCALE: 6" = 1' - 0"

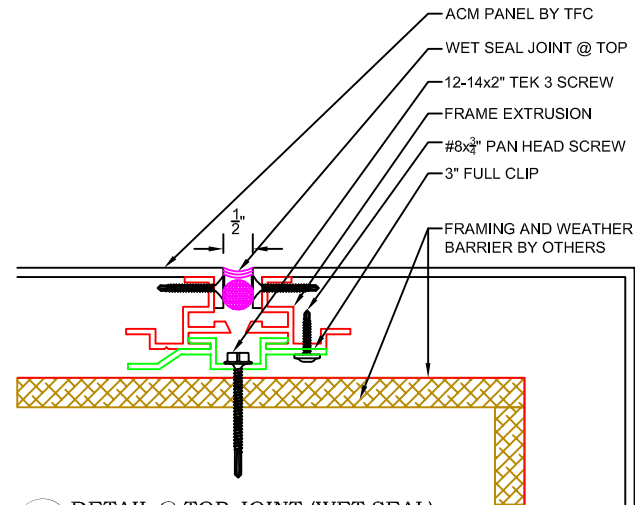


TFC SERIES 2000-DRY RAIN SCREEN SYSTEM

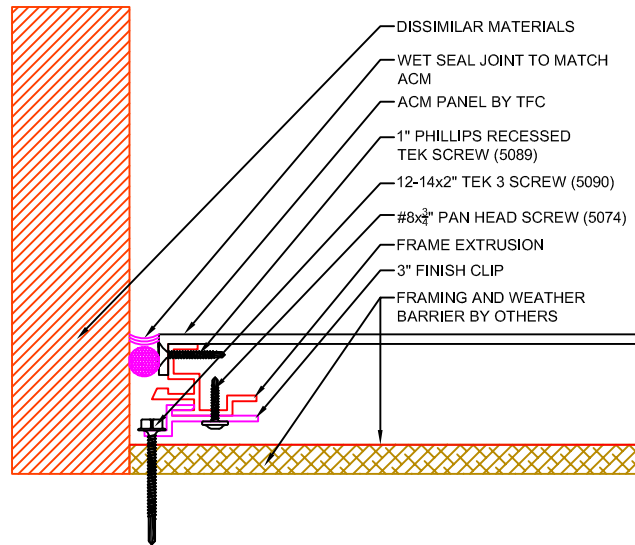
1107 N. TAYLOR RD. - GARRET, IN 46738
 P: 800-832-3212 F: 260-357-6533



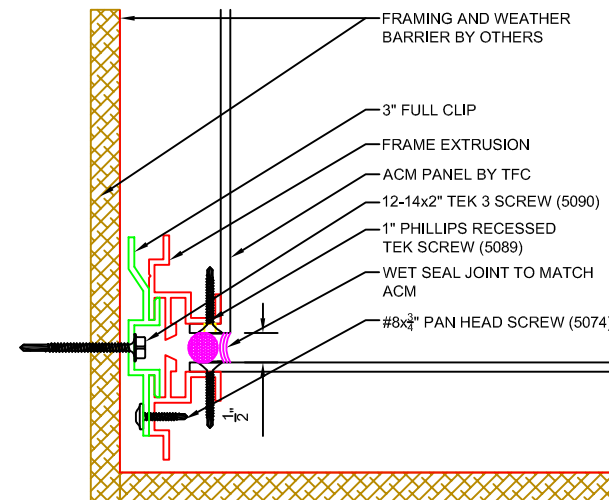
1
0
DETAIL @ TOP JOINT (WET SEAL)
SCALE: 6" = 1' - 0"



2
0
DETAIL @ TOP JOINT (WET SEAL)
SCALE: 6" = 1' - 0"



3
0
DETAIL @ DISSIMILAR MATERIAL / TOP
SCALE: 6" = 1' - 0"

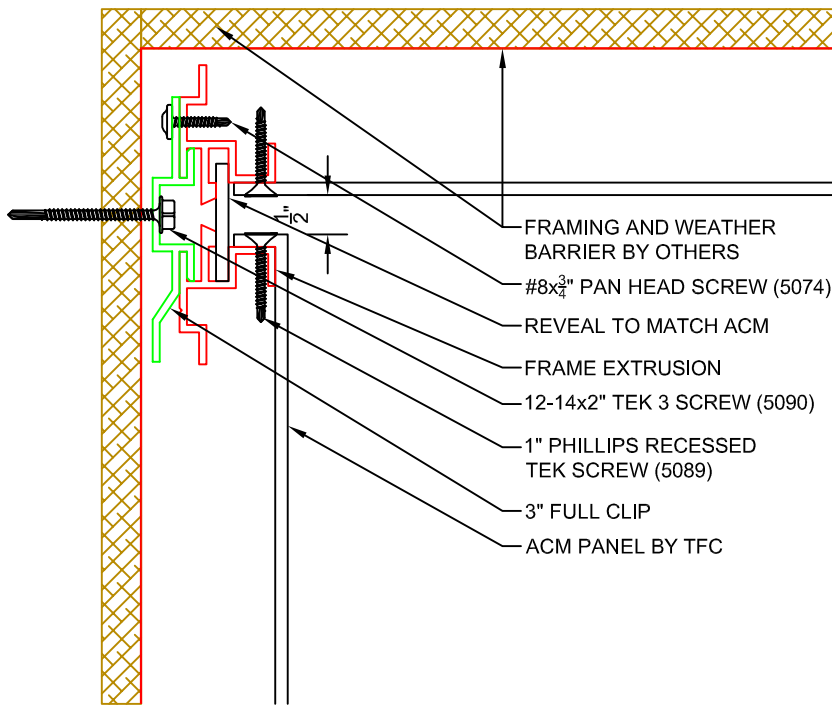


4
0
DETAIL @ TOP / INSIDE CORNER
SCALE: 6" = 1' - 0"

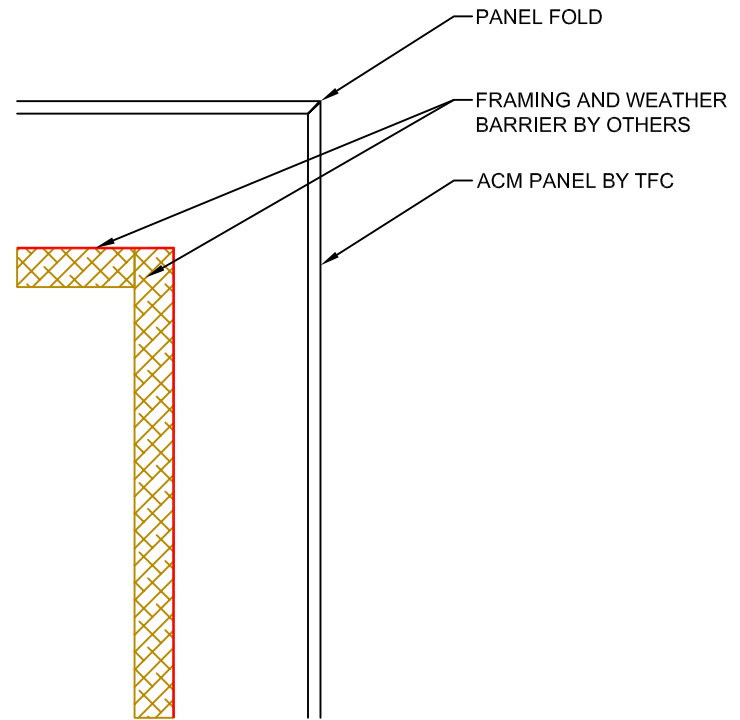


TFC SERIES 2000-DRY RAIN SCREEN SYSTEM

1107 N. TAYLOR RD. - GARRET, IN 46738
 P: 800-832-3212 F: 260-357-6533



1 PLAN DETAIL @ INSIDE CORNER
 0 SCALE: 6" = 1' - 0"

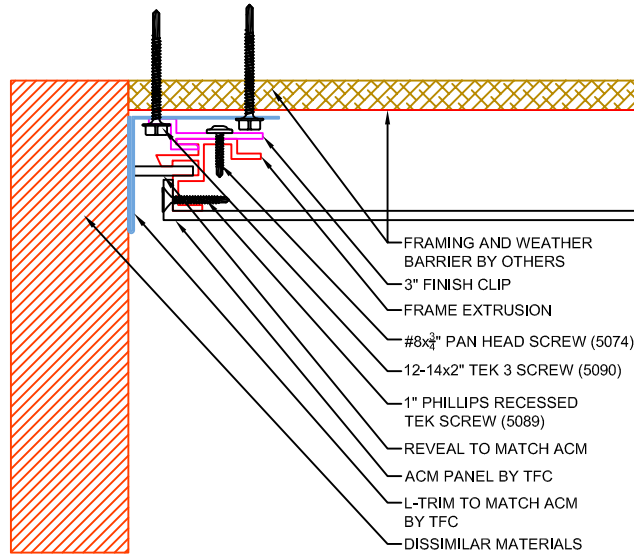


2 DETAIL @ OUTSIDE CORNER
 0 SCALE: 6" = 1' - 0"

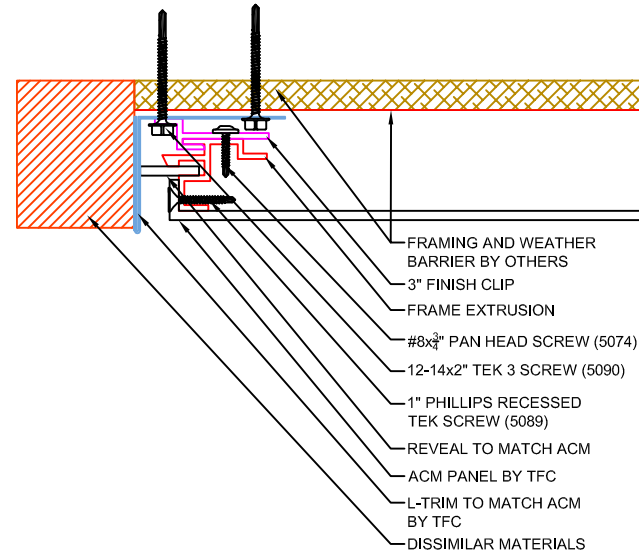


TFC SERIES 2000-DRY RAIN SCREEN SYSTEM

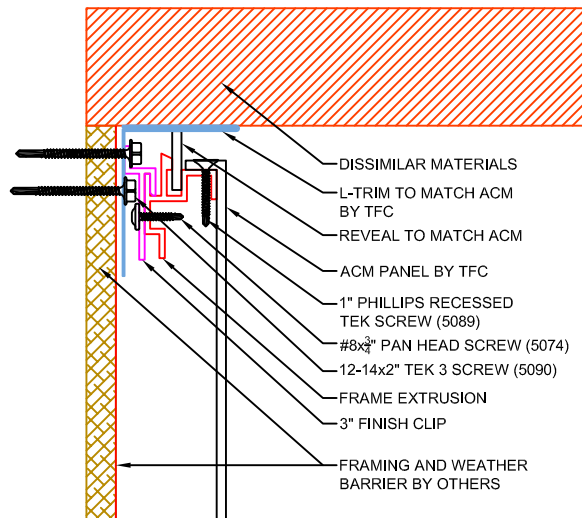
1107 N. TAYLOR RD. - GARRET, IN 46738
 P: 800-832-3212 F: 260-357-6533



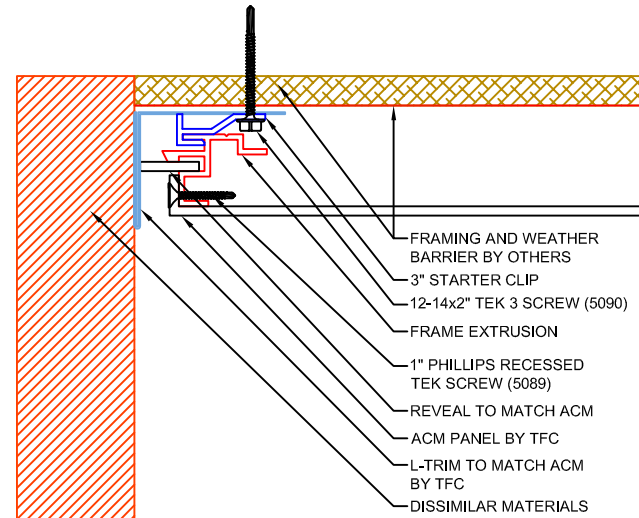
1 DETAIL @ DISSIMILAR MATERIAL
 0 SCALE: 6" = 1' - 0"



2 DETAIL @ DISSIMILAR MATERIAL
 0 SCALE: 6" = 1' - 0"



3 DETAIL @ DISSIMILAR MATERIAL
 0 SCALE: 6" = 1' - 0"

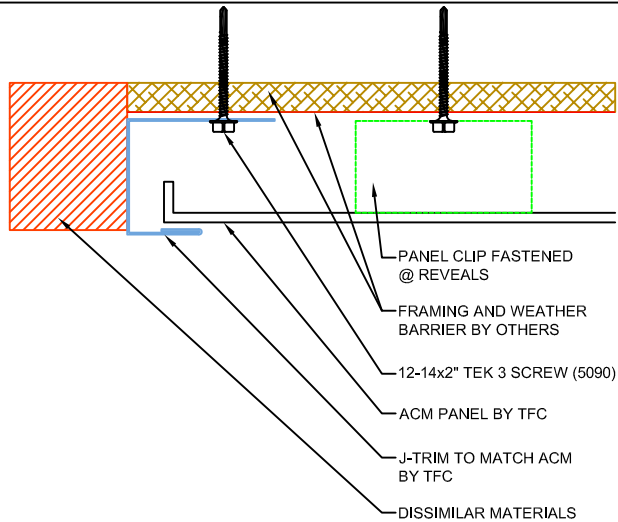


4 DETAIL @ DISSIMILAR MATERIAL
 0 SCALE: 6" = 1' - 0"

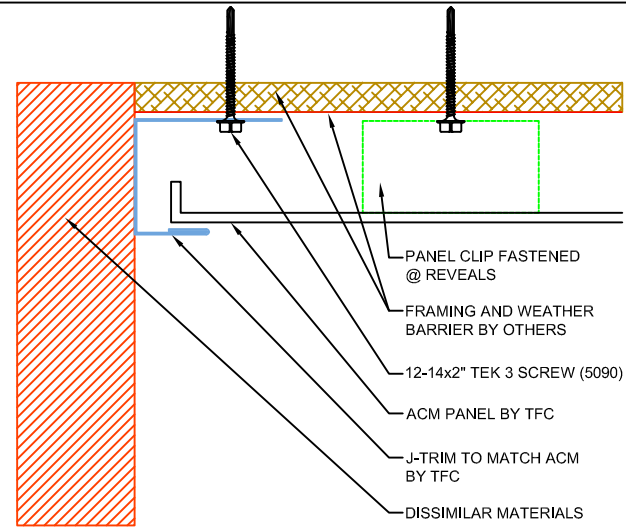


TFC SERIES 2000-DRY RAIN SCREEN SYSTEM

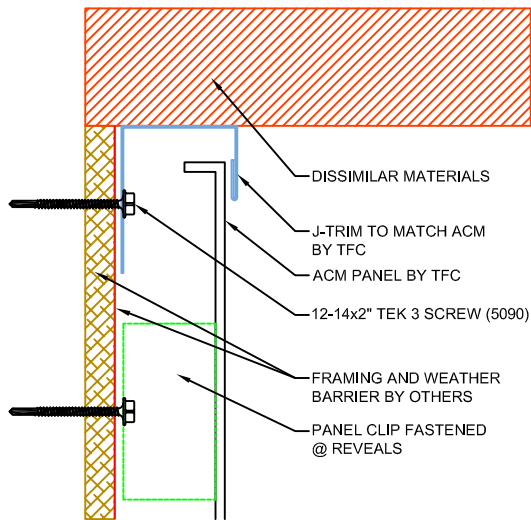
1107 N. TAYLOR RD. - GARRET, IN 46738
 P: 800-832-3212 F: 260-357-6533



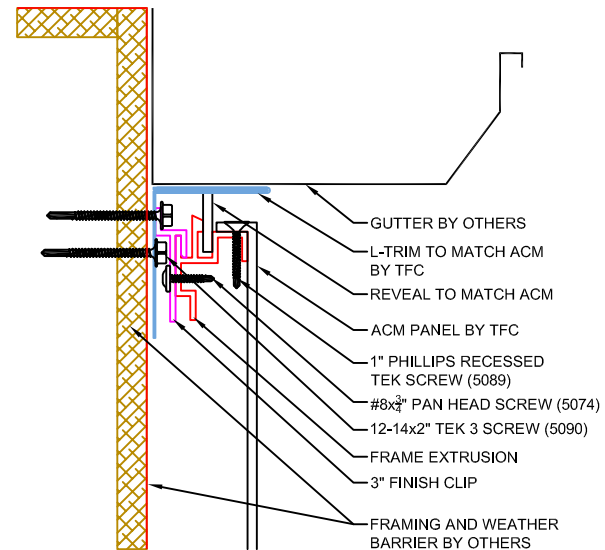
1
0
DETAIL @ DISSIMILAR MATERIAL
SCALE: 6" = 1' - 0"



2
0
DETAIL @ DISSIMILAR MATERIAL
SCALE: 6" = 1' - 0"



3
0
DETAIL @ DISSIMILAR MATERIAL
SCALE: 6" = 1' - 0"

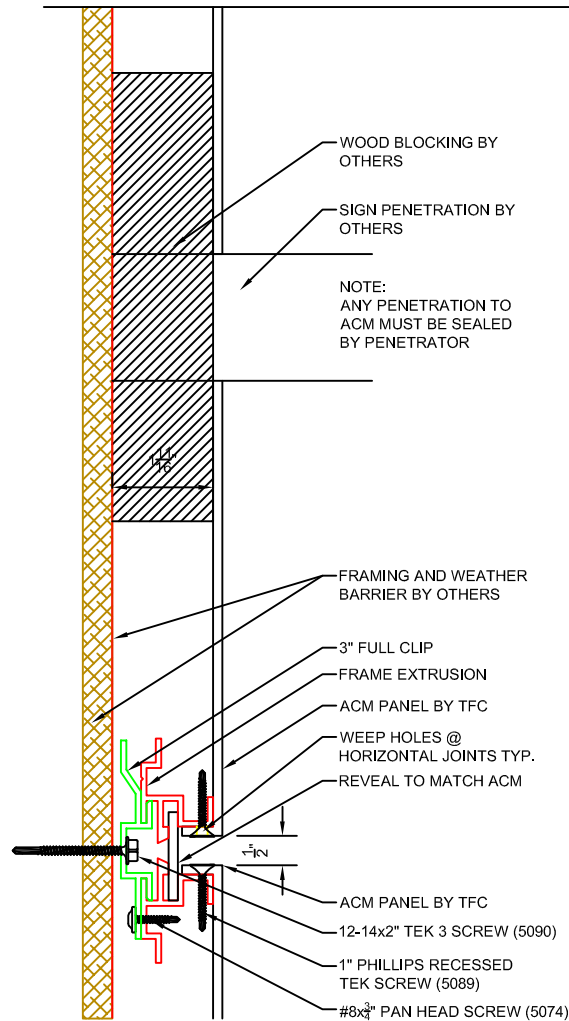


4
0
DETAIL @ DISSIMILAR MATERIAL
SCALE: 6" = 1' - 0"



TFC SERIES 2000-DRY RAIN SCREEN SYSTEM

1107 N. TAYLOR RD. - GARRET, IN 46738
 P: 800-832-3212 F: 260-357-6533

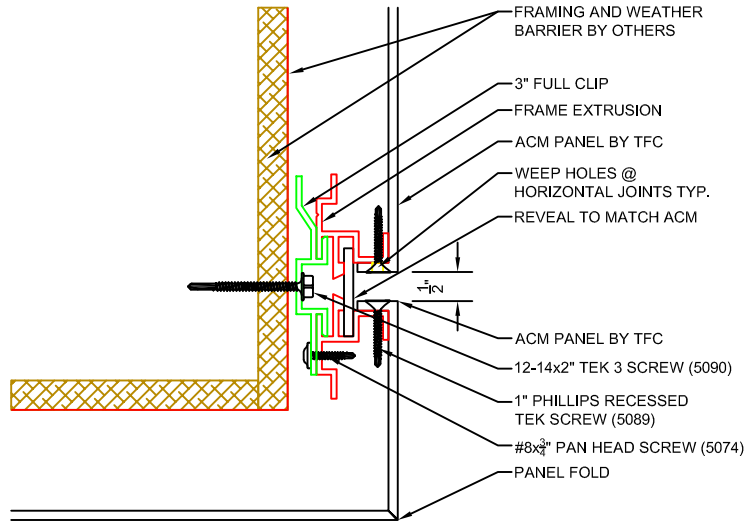


1 TYPICAL DETAIL @ SIGN PENETRATION
 0 SCALE: 6" = 1' - 0"

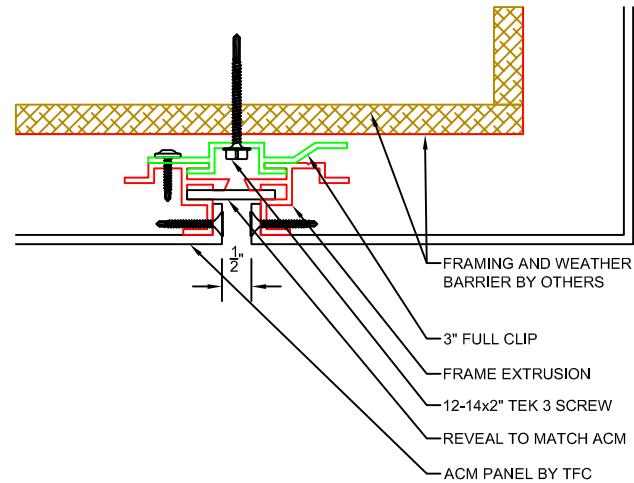


TFC SERIES 2000-DRY RAIN SCREEN SYSTEM

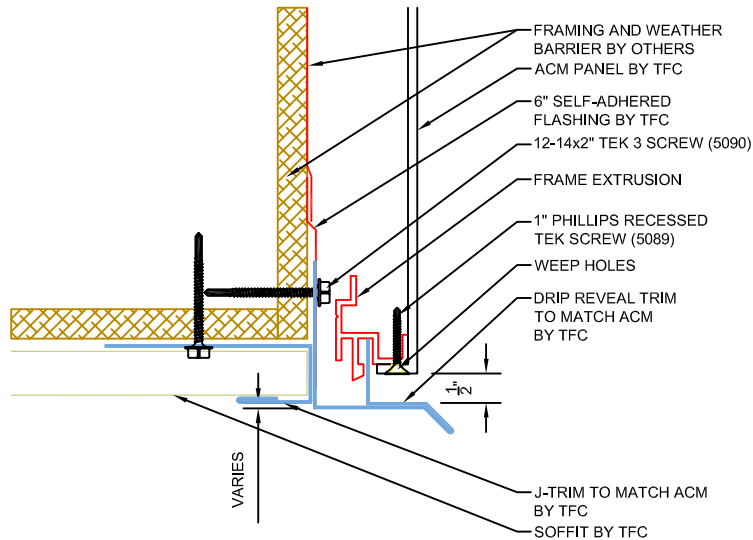
1107 N. TAYLOR RD. - GARRET, IN 46738
 P: 800-832-3212 F: 260-357-6533



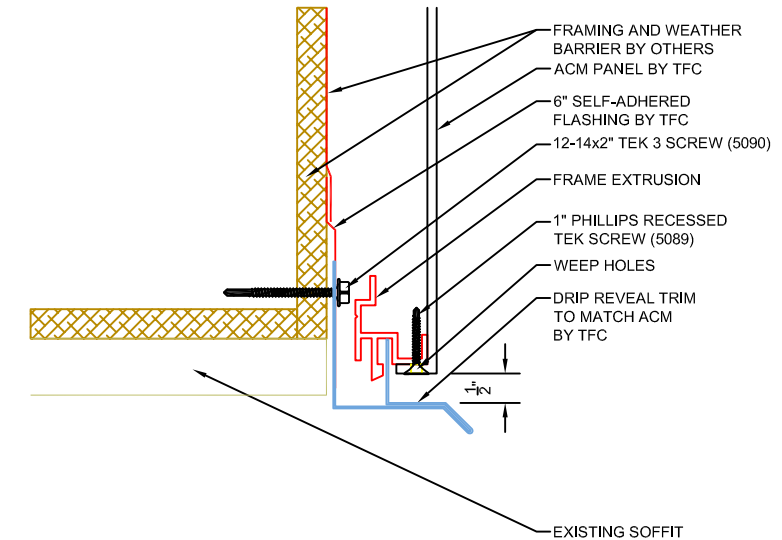
1
0
DETAIL @ OUTSIDE CORNER FOLD
SCALE: 6" = 1' - 0"



2
0
DETAIL @ SOFFIT
SCALE: 6" = 1' - 0"



3
0
DETAIL @ SOFFIT
SCALE: 6" = 1' - 0"

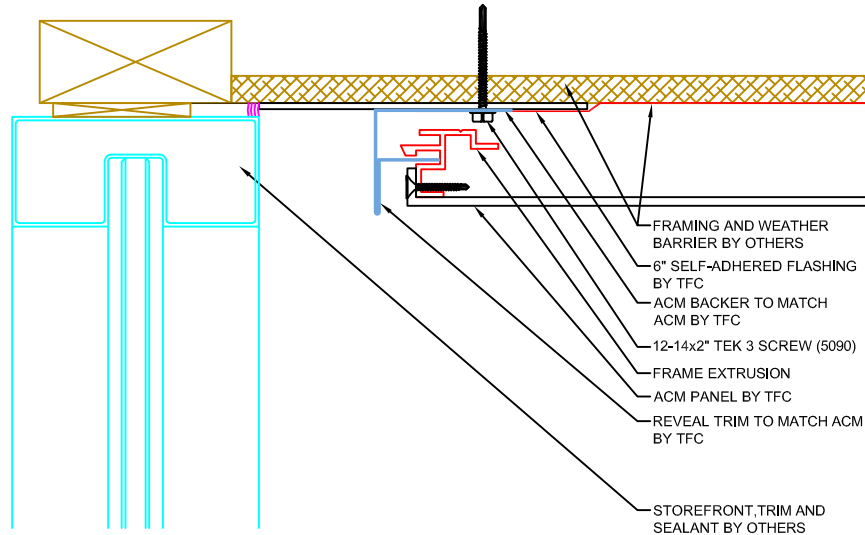


4
0
DETAIL @ SOFFIT
SCALE: 6" = 1' - 0"

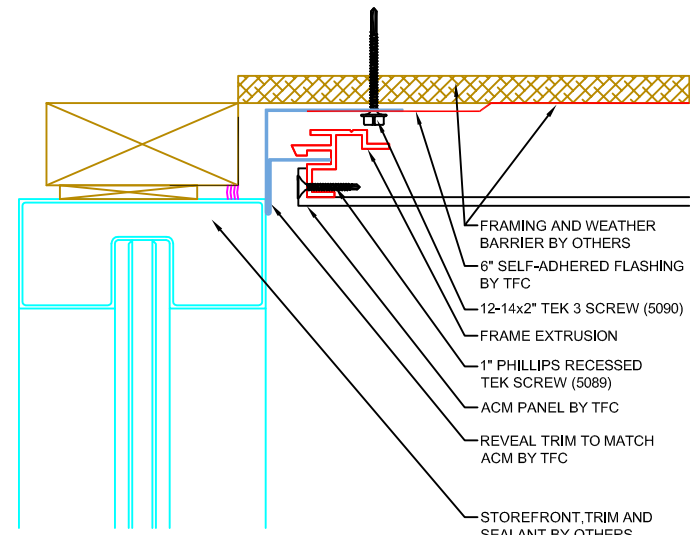


TFC SERIES 2000-DRY RAIN SCREEN SYSTEM

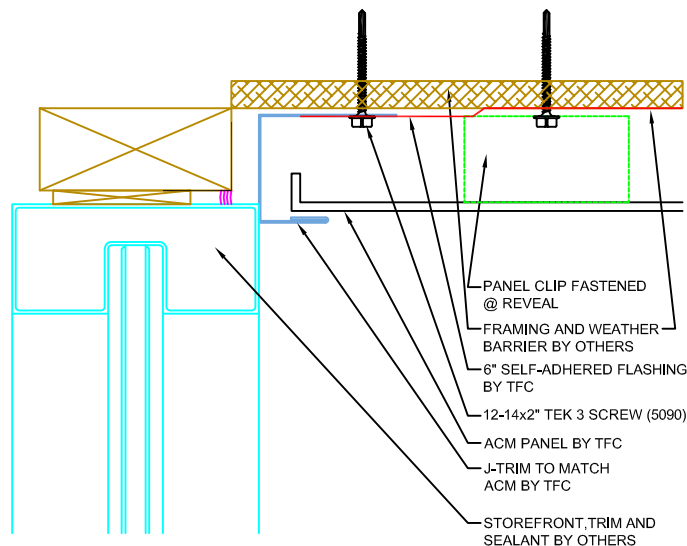
1107 N. TAYLOR RD. - GARRET, IN 46738
 P: 800-832-3212 F: 260-357-6533



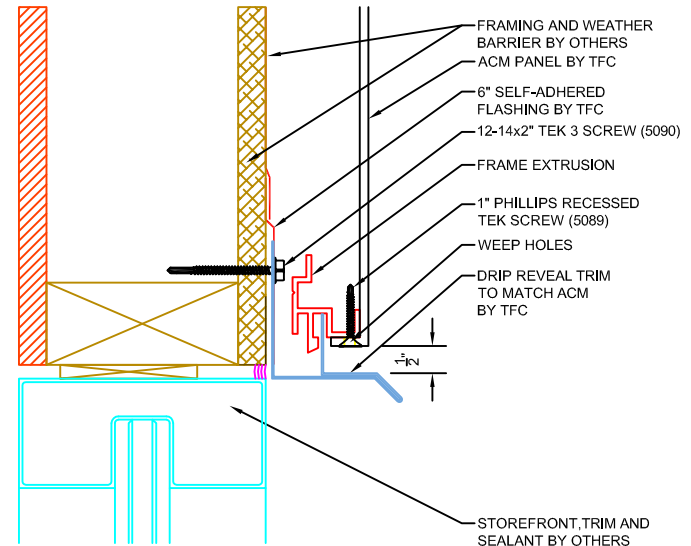
1
0
DETAIL @ WINDOW
SCALE: 6" = 1'-0"



2
0
DETAIL @ WINDOW
SCALE: 6" = 1'-0"



3
0
DETAIL @ WINDOW
SCALE: 6" = 1'-0"

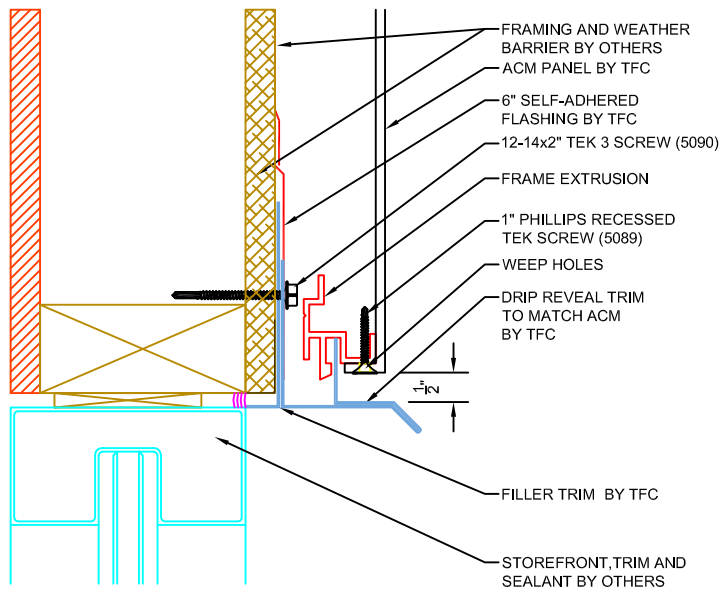


4
0
DETAIL @ WINDOW HEAD
SCALE: 6" = 1'-0"

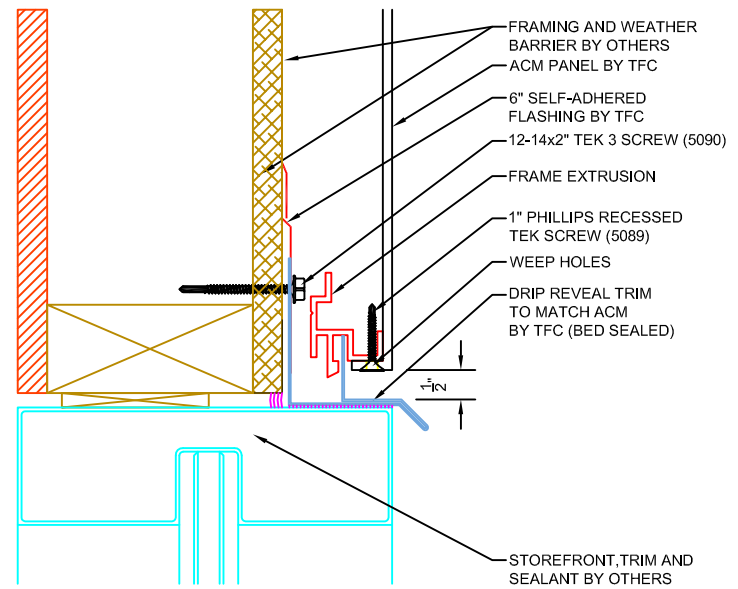


TFC SERIES 2000-DRY RAIN SCREEN SYSTEM

1107 N. TAYLOR RD. - GARRET, IN 46738
 P: 800-832-3212 F: 260-357-6533



1
0
DETAIL @ WINDOW HEAD
 SCALE: 6" = 1' - 0"

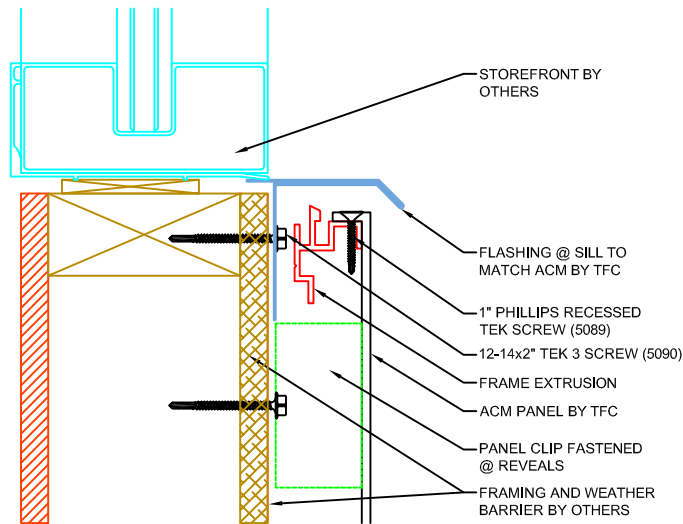


2
0
DETAIL @ WINDOW HEAD
 SCALE: 6" = 1' - 0"

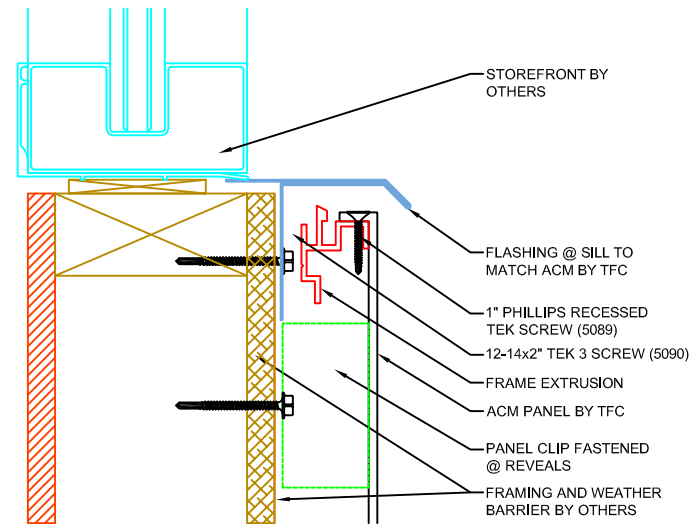


TFC SERIES 2000-DRY RAIN SCREEN SYSTEM

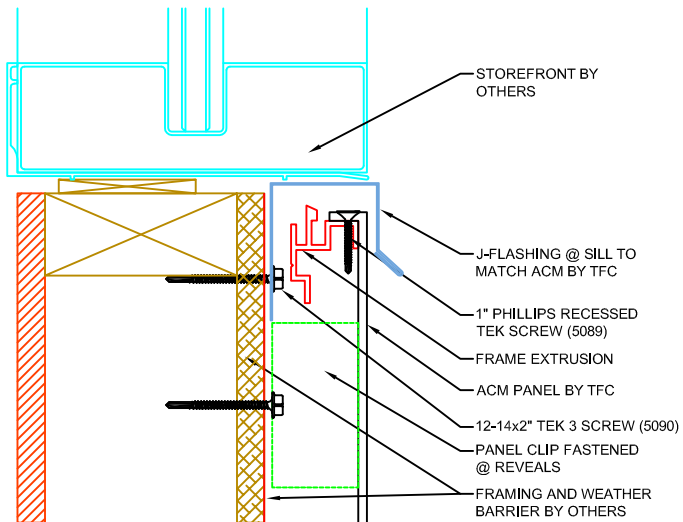
1107 N. TAYLOR RD. - GARRET, IN 46738
 P: 800-832-3212 F: 260-357-6533



1
0
DETAIL @ WINDOW SILL
SCALE: 6" = 1' - 0"



2
0
DETAIL @ WINDOW SILL
SCALE: 6" = 1' - 0"

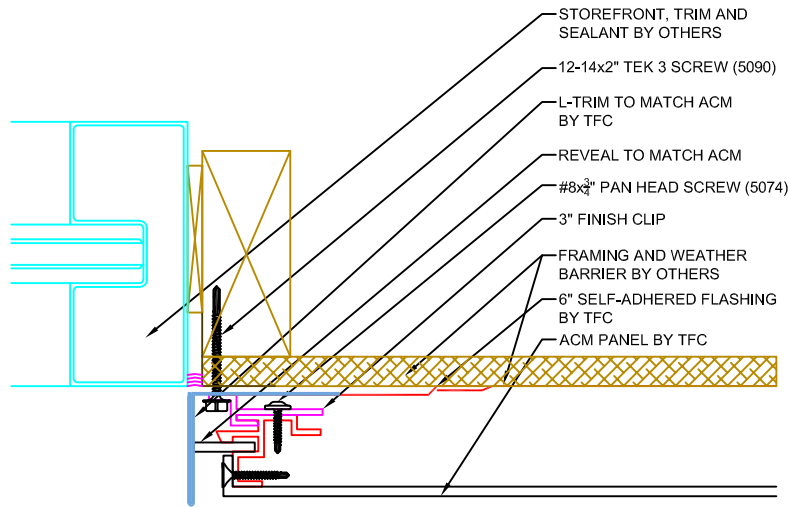


3
0
DETAIL @ WINDOW SILL
SCALE: 6" = 1' - 0"

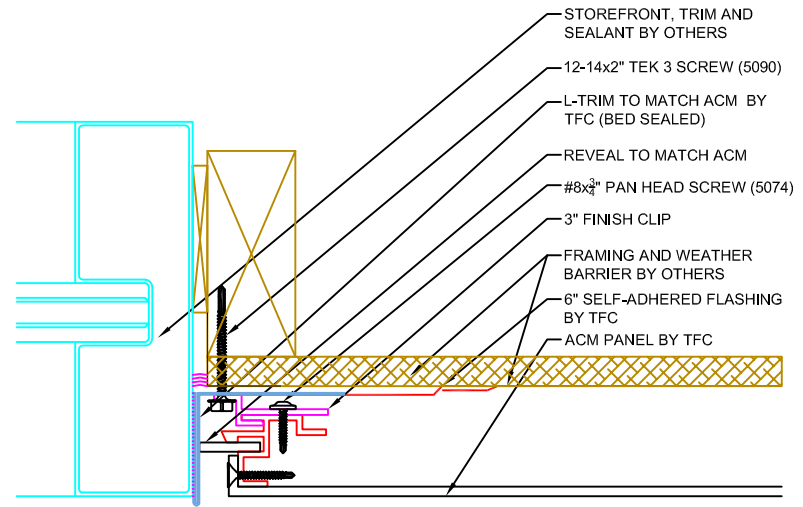


TFC SERIES 2000-DRY RAIN SCREEN SYSTEM

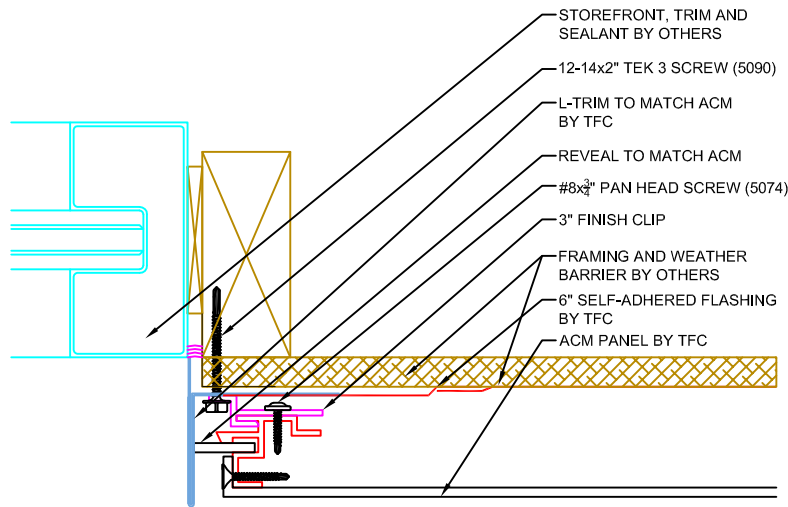
1107 N. TAYLOR RD. - GARRET, IN 46738
 P: 800-832-3212 F: 260-357-6533



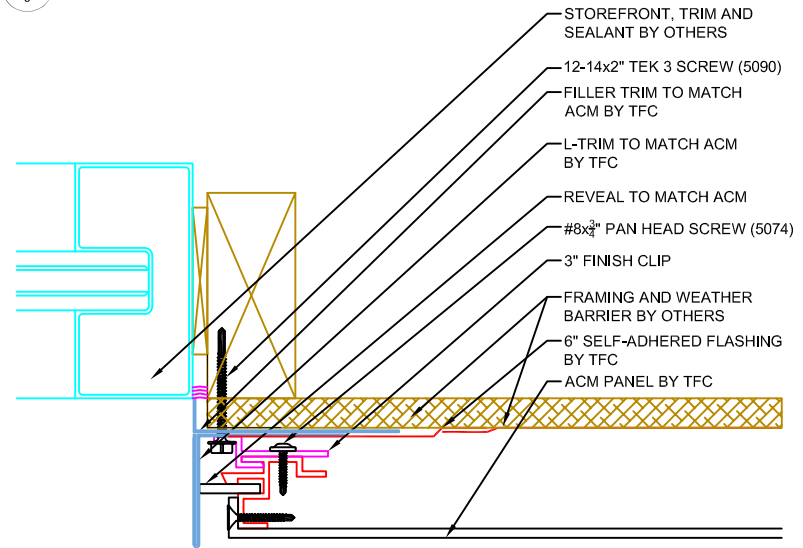
1
0
DETAIL @ WINDOW JAMB
SCALE: 6" = 1' - 0"



2
0
DETAIL @ WINDOW JAMB
SCALE: 6" = 1' - 0"



3
0
DETAIL @ WINDOW JAMB
SCALE: 6" = 1' - 0"

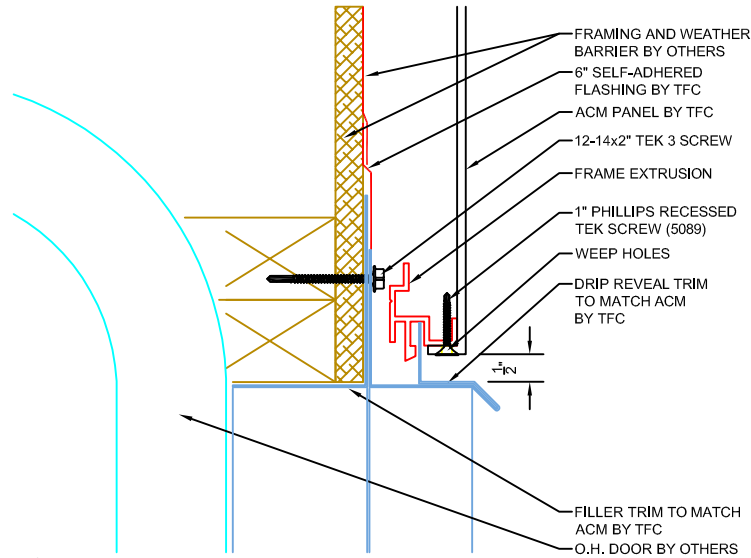


4
0
DETAIL @ WINDOW JAMB
SCALE: 6" = 1' - 0"

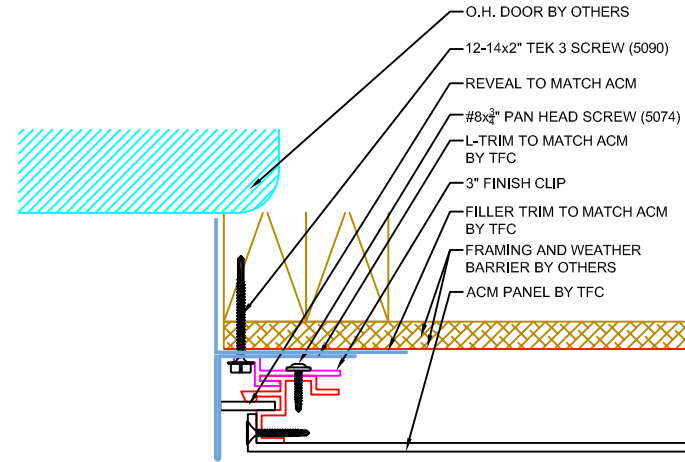


TFC SERIES 2000-DRY RAIN SCREEN SYSTEM

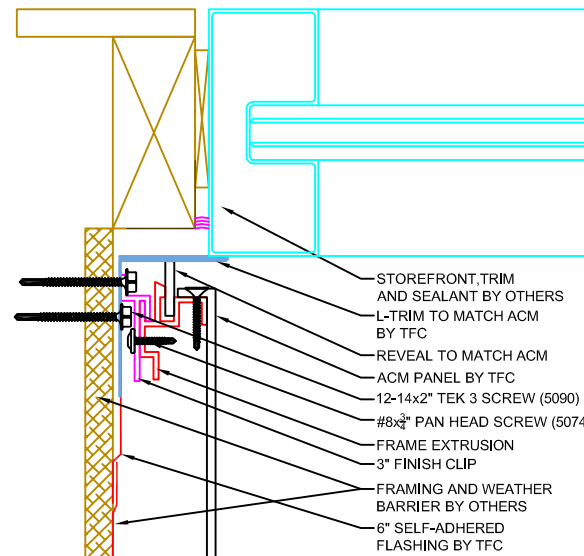
1107 N. TAYLOR RD. - GARRET, IN 46738
 P: 800-832-3212 F: 260-357-6533



1
0
DETAIL @ OVERHEAD DOOR
SCALE: 6" = 1' - 0"



2
0
PLAN DETAIL @ OVERHEAD DOOR
SCALE: 6" = 1' - 0"

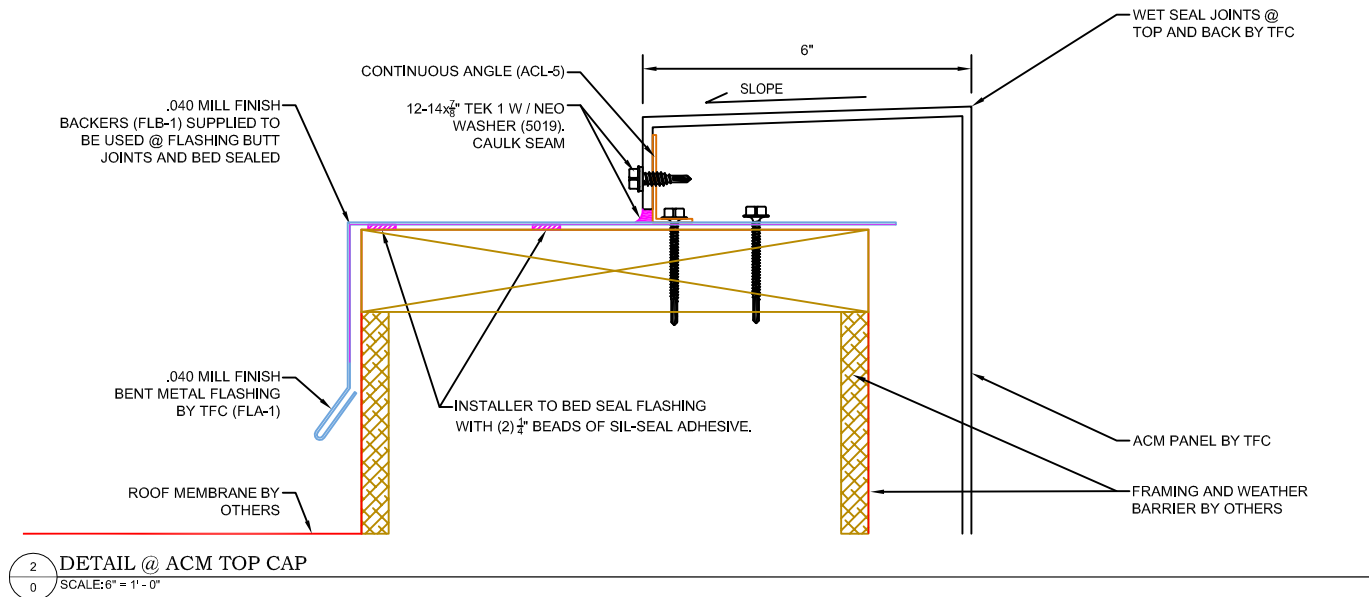
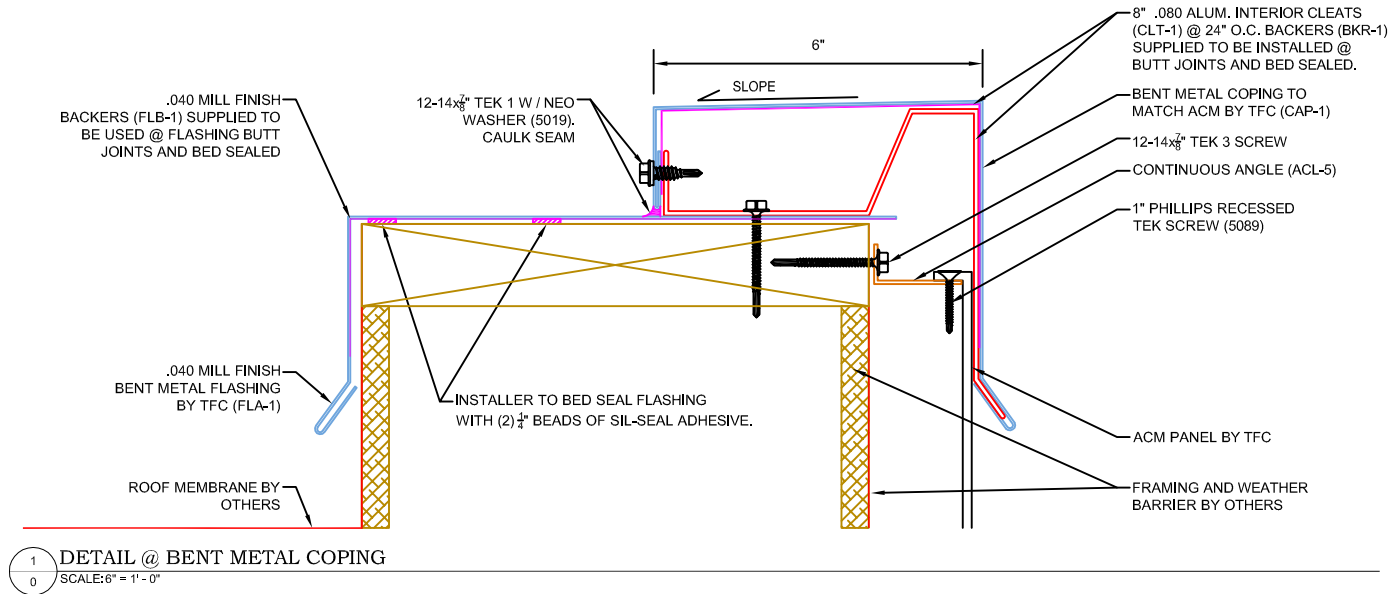


3
0
PLAN DETAIL @ WINDOW JAMB
SCALE: 6" = 1' - 0"



TFC SERIES 2000-DRY RAIN SCREEN SYSTEM

1107 N. TAYLOR RD. - GARRET, IN 46738
 P: 800-832-3212 F: 260-357-6533





TFC SERIES 2000-DRY RAIN SCREEN SYSTEM

1107 N. TAYLOR RD. - GARRET, IN 46738
 P: 800-832-3212 F: 260-357-6533

