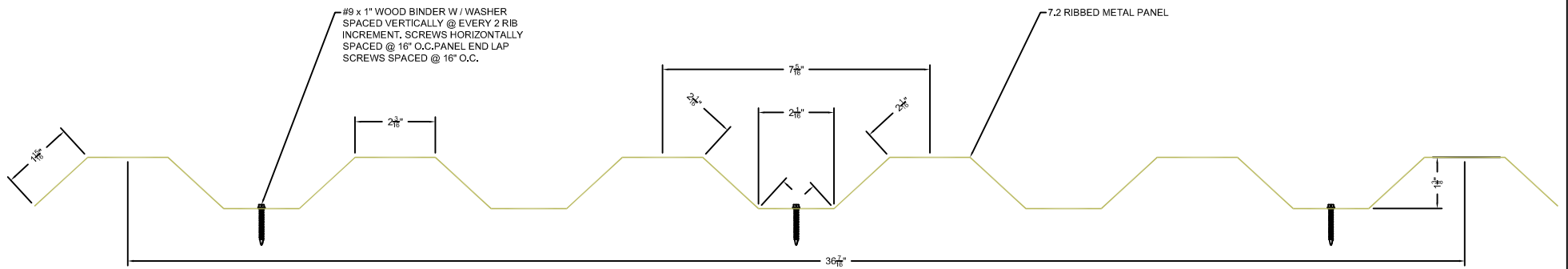




TFC SERIES 7.2 RIBBED PANEL SYSTEM

1107 N. TAYLOR RD. - GARRET, IN 46738
P: 800-832-3212 F: 260-357-6533

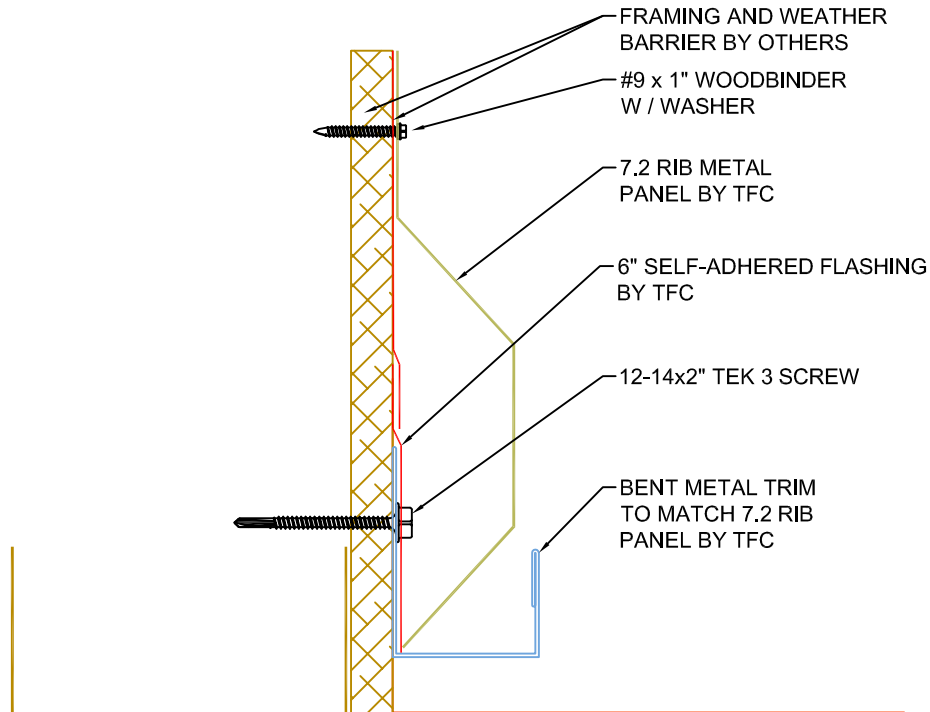


1 7.2 RIB PANEL PROFILE
A4.0 SCALE: 6"=1'-0"



TFC SERIES 7.2 RIBBED PANEL SYSTEM

1107 N. TAYLOR RD. - GARRET, IN 46738
P: 800-832-3212 F: 260-357-6533

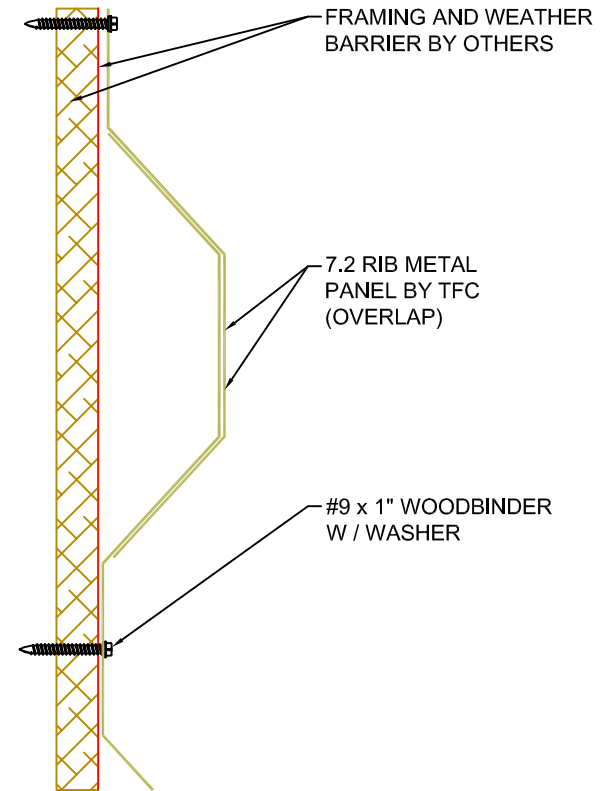
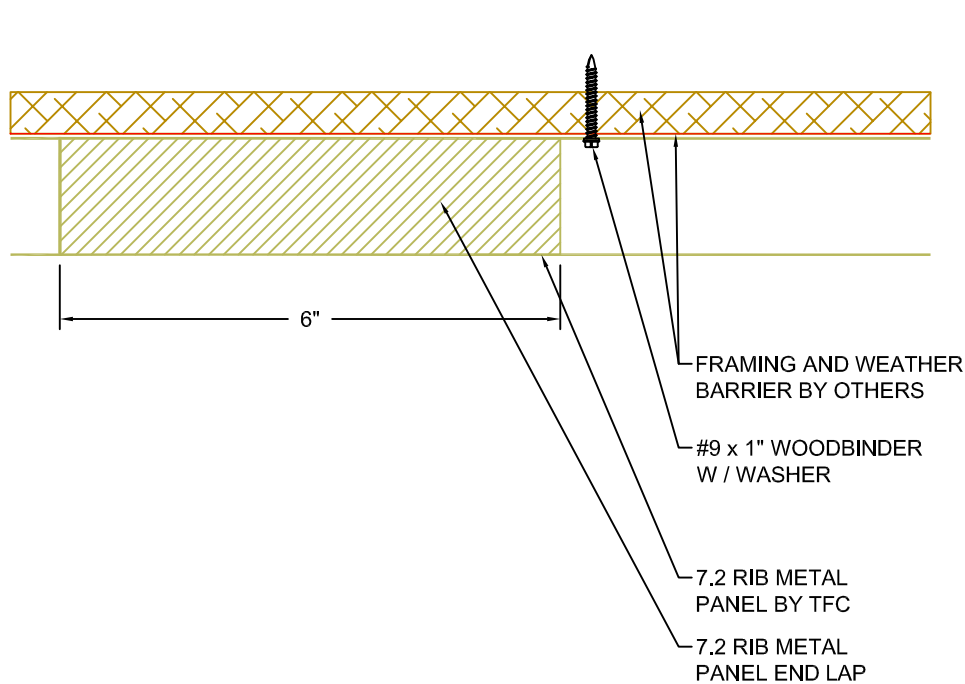


2 DETAIL @ BASE
A4.0 SCALE: 6"=1'-0"



TFC SERIES 7.2 RIBBED PANEL SYSTEM

1107 N. TAYLOR RD. - GARRET, IN 46738
P: 800-832-3212 F: 260-357-6533



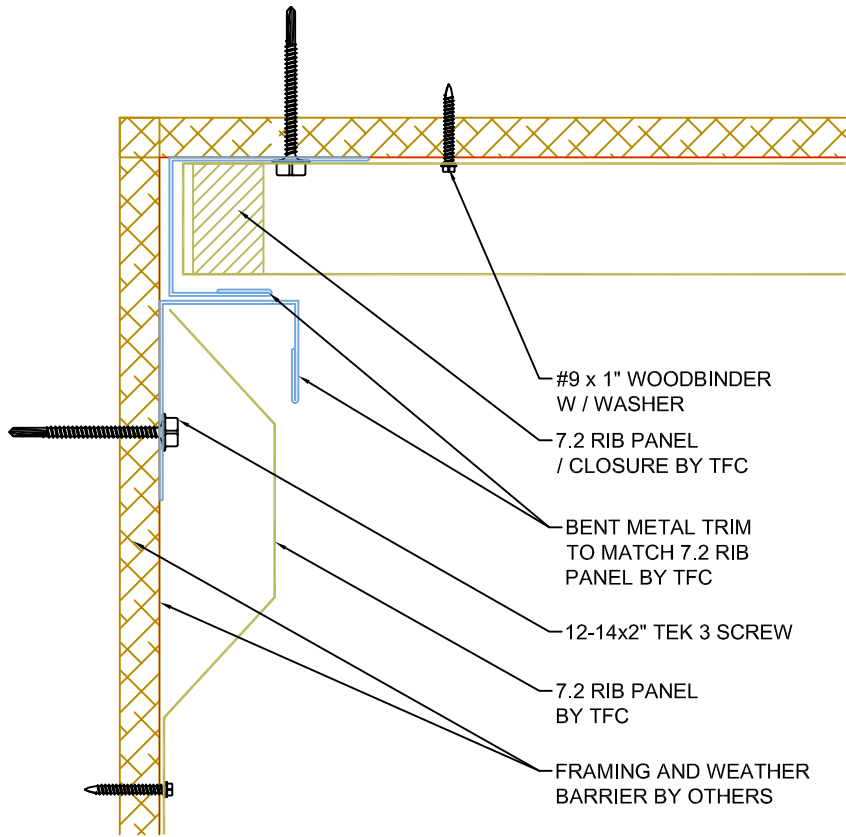
2 PLAN DETAIL @ 7.2 RIB PANEL END LAP
A4.0 SCALE: 6"=1'-0"

2 DETAIL @ 7.2 RIB PANEL OVERLAP
A4.0 SCALE: 6"=1'-0"

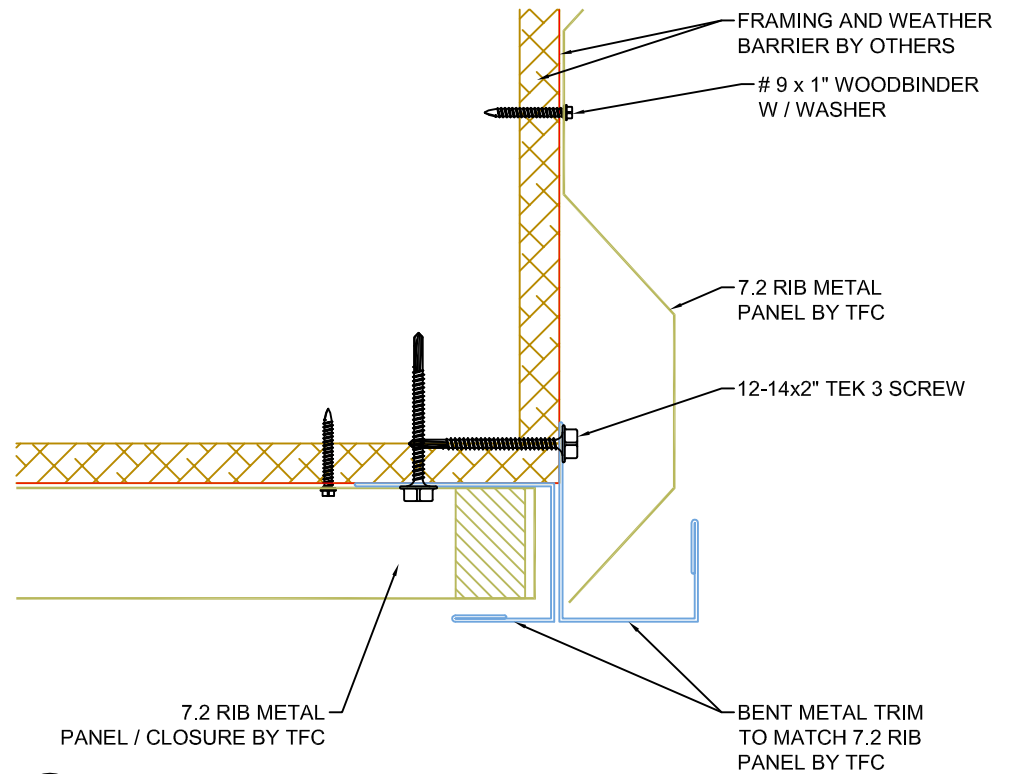


TFC SERIES 7.2 RIBBED PANEL SYSTEM

1107 N. TAYLOR RD. - GARRET, IN 46738
 P: 800-832-3212 F: 260-357-6533



2 DETAIL @ SOFFIT
 A4.0 SCALE: 6"=1'-0"

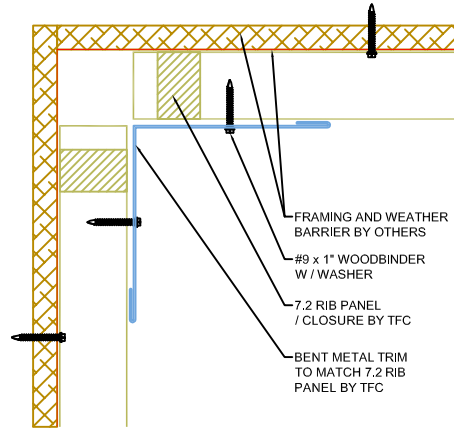


2 DETAIL @ SOFFIT
 A4.0 SCALE: 6"=1'-0"

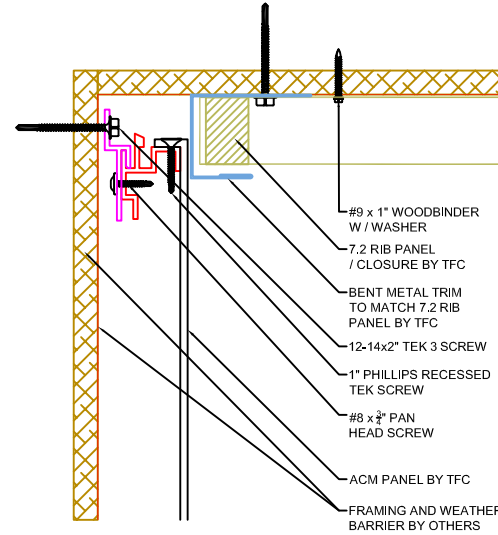


TFC SERIES 7.2 RIBBED PANEL SYSTEM

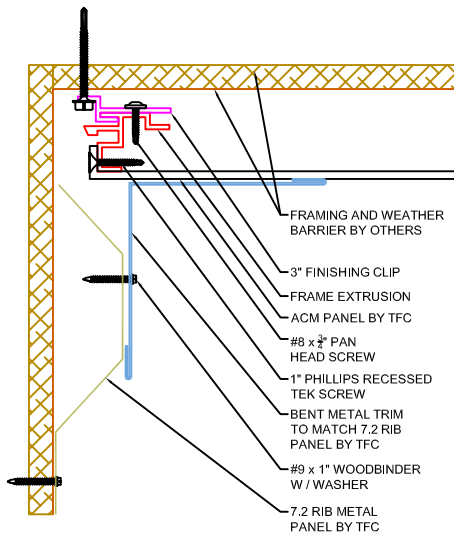
1107 N. TAYLOR RD. - GARRET, IN 46738
 P: 800-832-3212 F: 260-357-6533



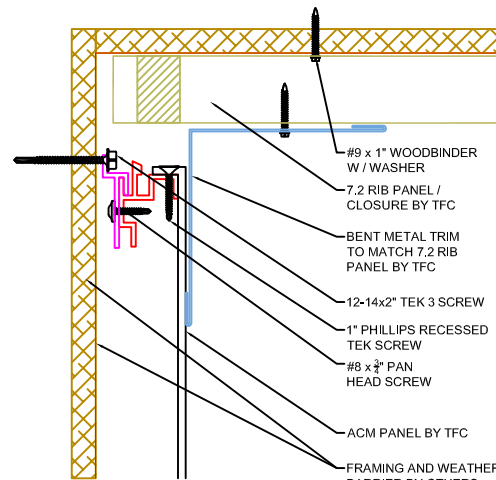
2 DETAIL @ INSIDE CORNER
 A4.0 SCALE: 6"=1'-0"



2 DETAIL @ INSIDE CORNER
 A4.0 SCALE: 6"=1'-0"



2 DETAIL @ INSIDE CORNER
 A4.0 SCALE: 6"=1'-0"

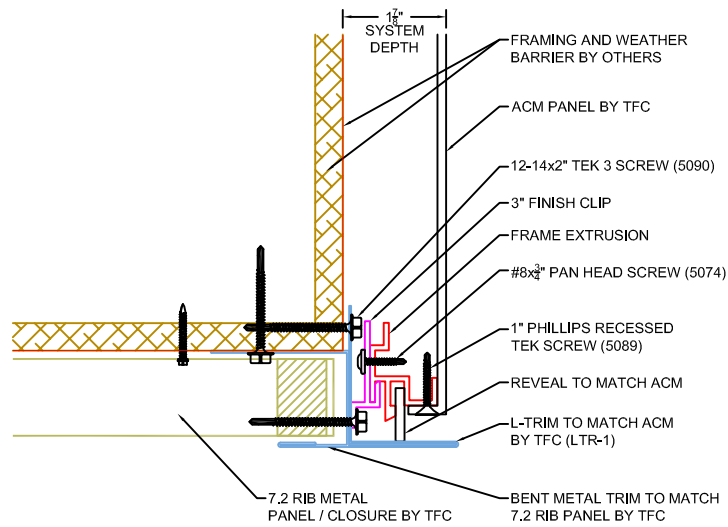


2 DETAIL @ INSIDE CORNER
 A4.0 SCALE: 6"=1'-0"

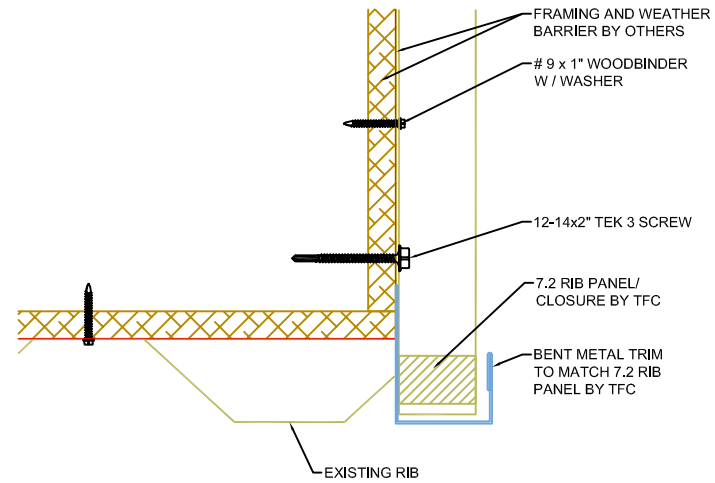


TFC SERIES 7.2 RIBBED PANEL SYSTEM

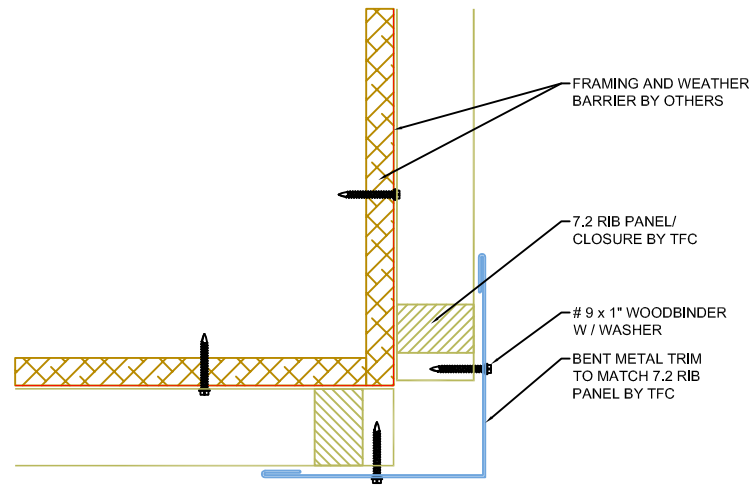
1107 N. TAYLOR RD. - GARRET, IN 46738
 P: 800-832-3212 F: 260-357-6533



2 PLAN DETAIL @ 7.2 RIB PANEL OUTSIDE CORNER
 A4.0 SCALE: 6"=1'-0"



2 DETAIL @ OUTSIDE CORNER
 A4.0 SCALE: 6"=1'-0"

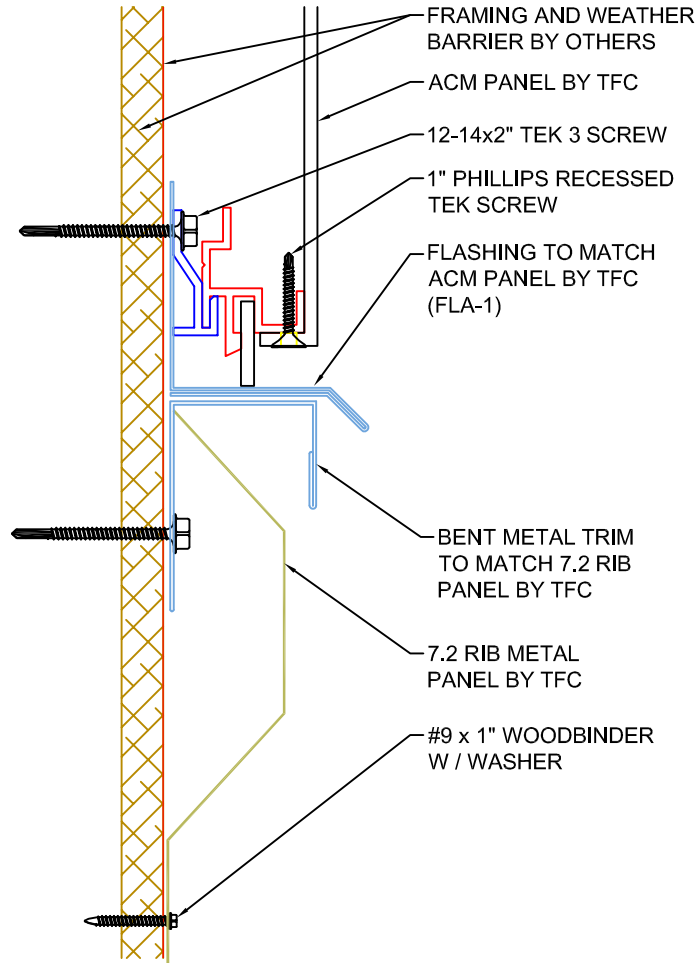


2 PLAN DETAIL @ 7.2 RIB PANEL OUTSIDE CORNER
 A4.0 SCALE: 6"=1'-0"



TFC SERIES 7.2 RIBBED PANEL SYSTEM

1107 N. TAYLOR RD. - GARRET, IN 46738
P: 800-832-3212 F: 260-357-6533

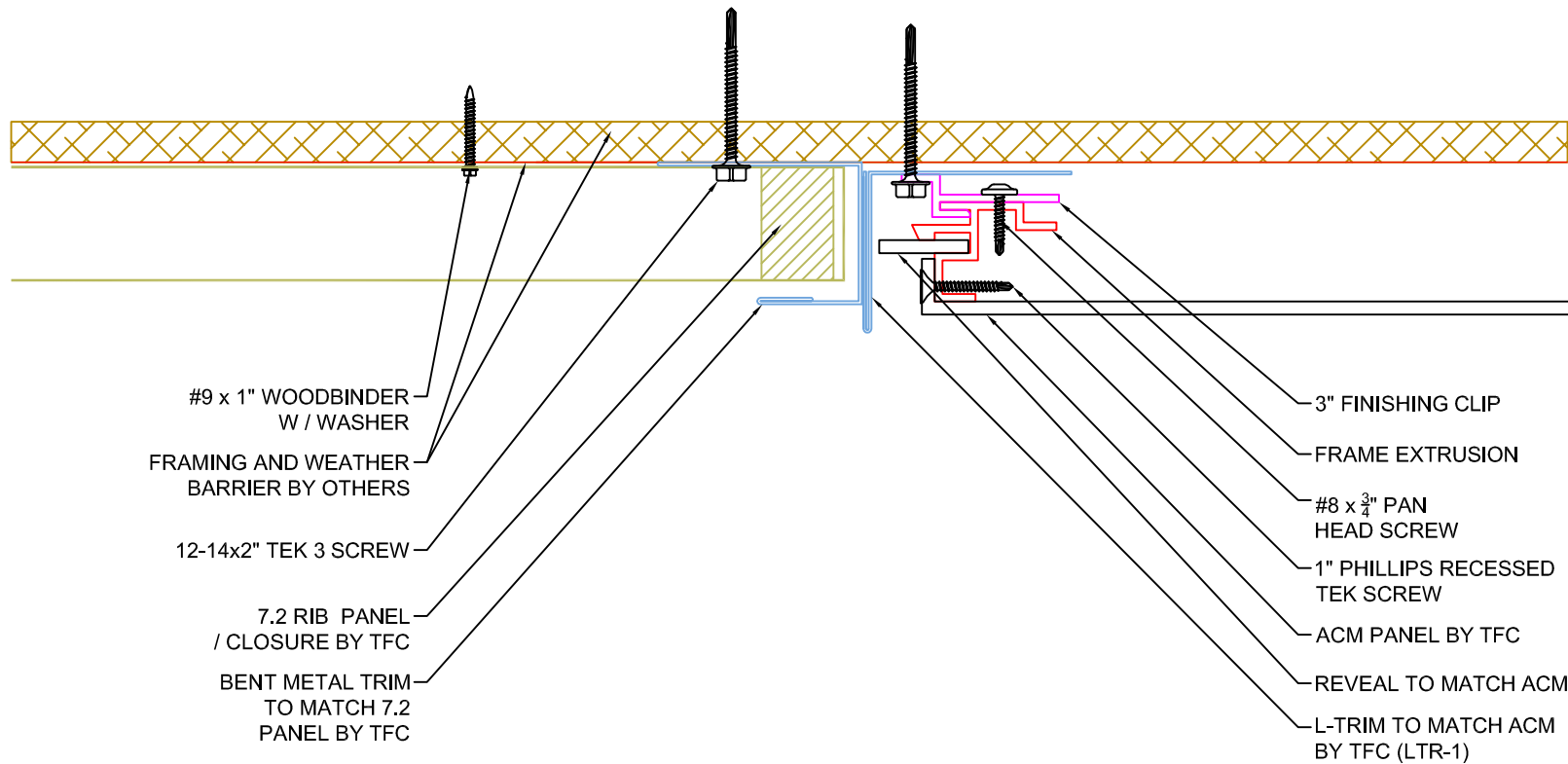


2 ACM TO 7.2 RIB PANEL
A4.0 6"=1'-0"



TFC SERIES 7.2 RIBBED PANEL SYSTEM

1107 N. TAYLOR RD. - GARRET, IN 46738
 P: 800-832-3212 F: 260-357-6533



- #9 x 1" WOODBINDER W / WASHER
- FRAMING AND WEATHER BARRIER BY OTHERS
- 12-14x2" TEK 3 SCREW
- 7.2 RIB PANEL / CLOSURE BY TFC
- BENT METAL TRIM TO MATCH 7.2 PANEL BY TFC

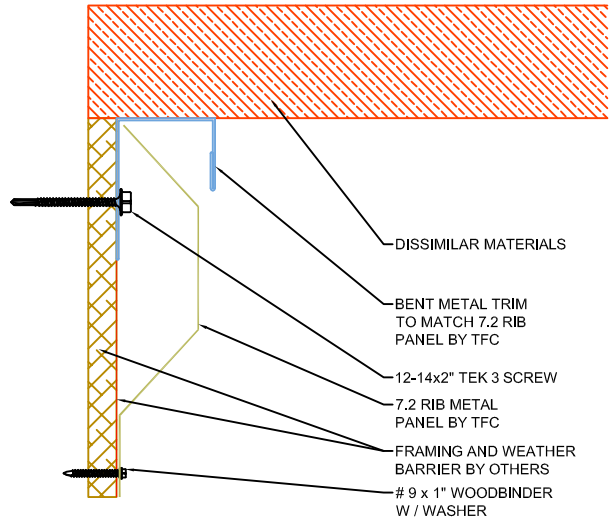
- 3" FINISHING CLIP
- FRAME EXTRUSION
- #8 x 3/4" PAN HEAD SCREW
- 1" PHILLIPS RECESSED TEK SCREW
- ACM PANEL BY TFC
- REVEAL TO MATCH ACM
- L-TRIM TO MATCH ACM BY TFC (LTR-1)

2 JOINT DETAIL @ 7.2 HORIZONTAL RIB PANEL TO ACM PANEL
 A4.0 SCALE: 6"=1'-0"

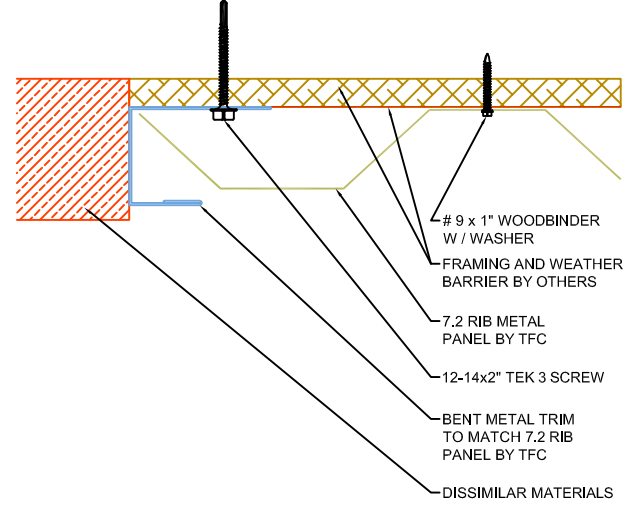


TFC SERIES 7.2 RIBBED PANEL SYSTEM

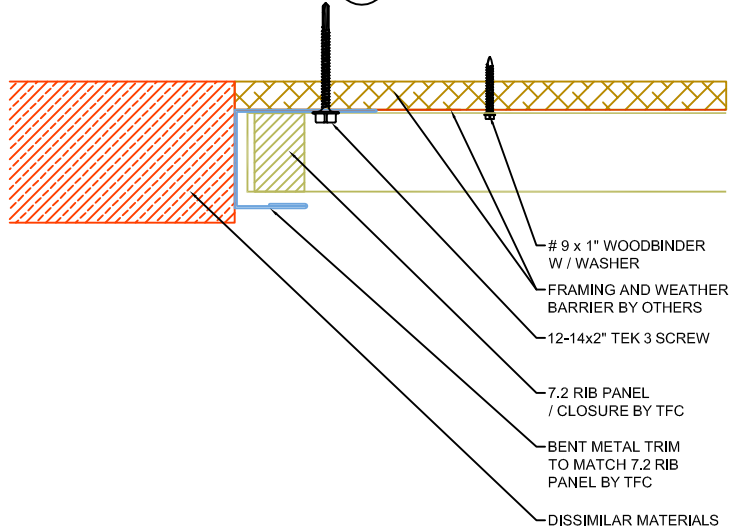
1107 N. TAYLOR RD. - GARRET, IN 46738
 P: 800-832-3212 F: 260-357-6533



2 END DETAIL @ DISSIMILAR MATERIALS
 A4.0 SCALE: 6"=1'-0"



2 END DETAIL @ DISSIMILAR MATERIALS / SOFFIT
 A4.0 SCALE: 6"=1'-0"

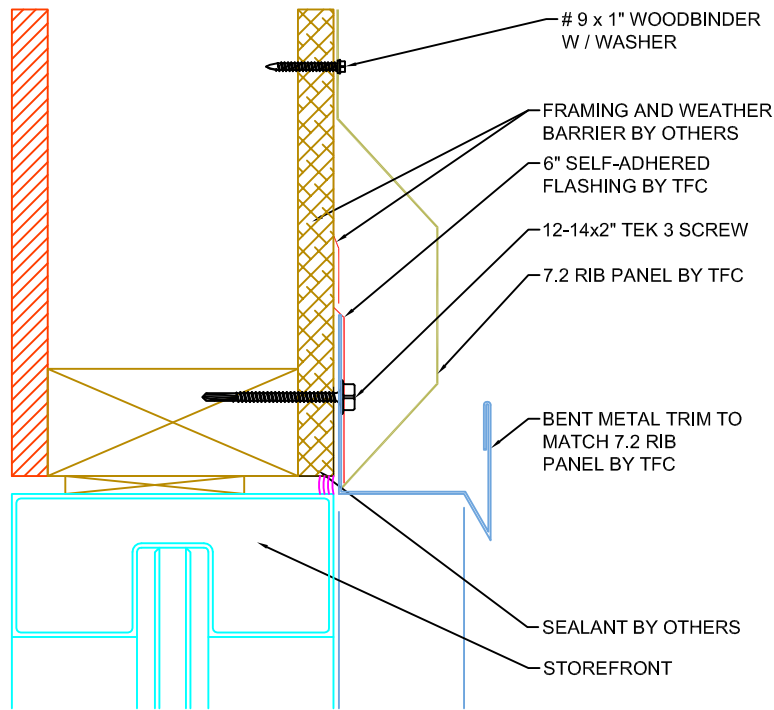


2 END DETAIL @ 7.2 RIB PANEL / DISSIMILAR MATERIALS
 A4.0 SCALE: 6"=1'-0"

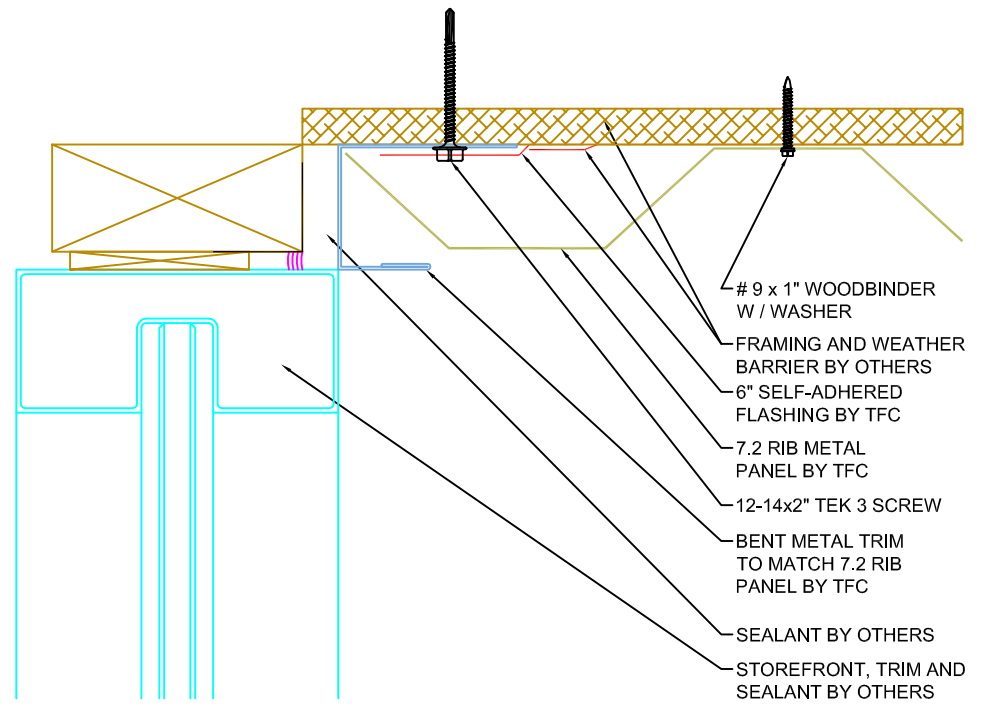


TFC SERIES 7.2 RIBBED PANEL SYSTEM

1107 N. TAYLOR RD. - GARRET, IN 46738
 P: 800-832-3212 F: 260-357-6533



2 DETAIL @ WINDOW HEAD
 A4.0 SCALE: 6" = 1' - 0"

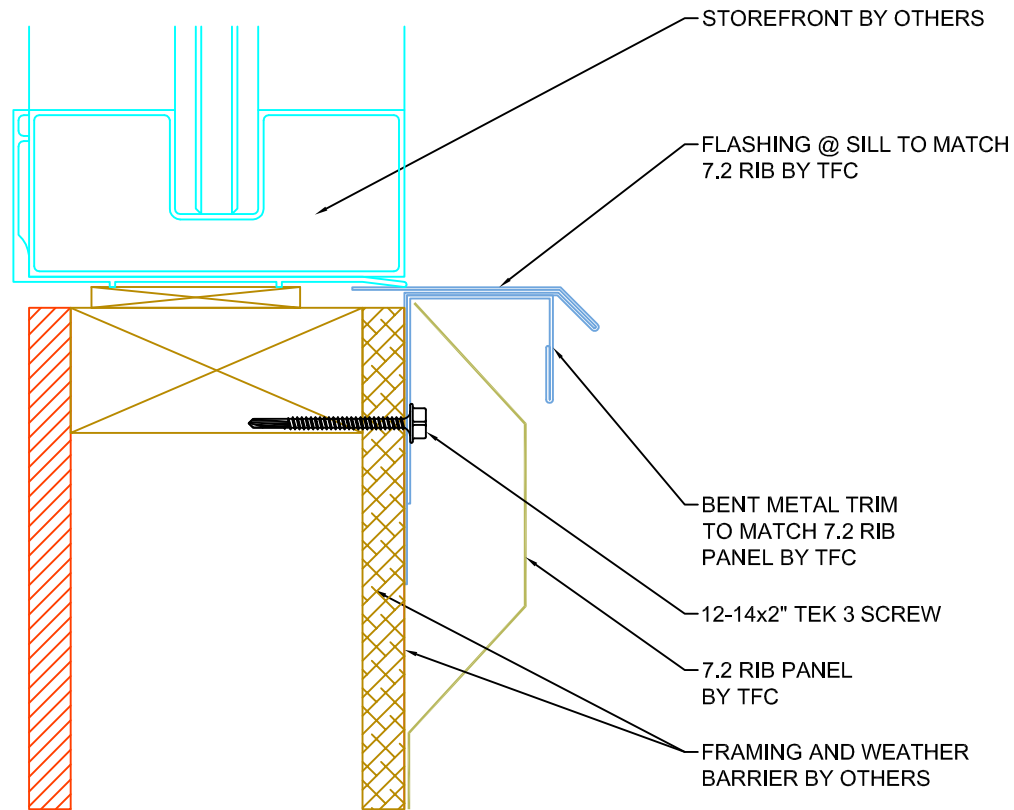


2 DETAIL @ WINDOW
 A4.0 SCALE: 6" = 1' - 0"



TFC SERIES 7.2 RIBBED PANEL SYSTEM

1107 N. TAYLOR RD. - GARRET, IN 46738
P: 800-832-3212 F: 260-357-6533

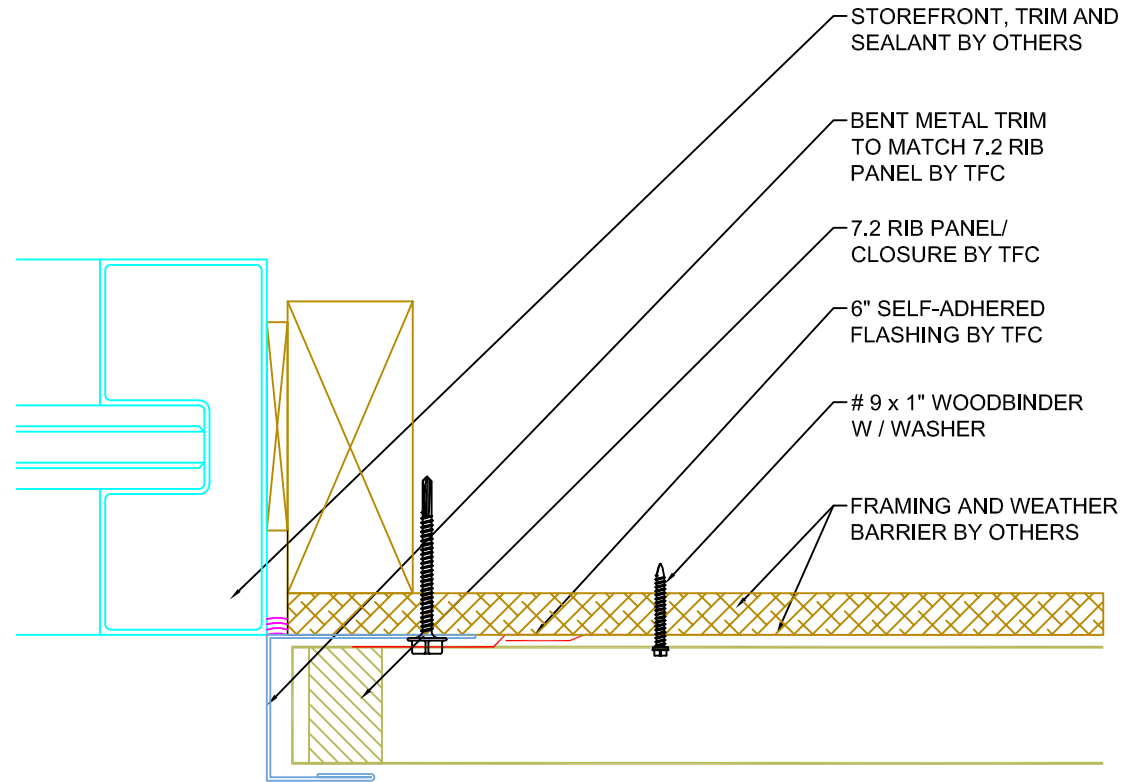


2 DETAIL @ WINDOW SILL
A4.0 SCALE: 6" = 1' - 0"



TFC SERIES 7.2 RIBBED PANEL SYSTEM

1107 N. TAYLOR RD. - GARRET, IN 46738
P: 800-832-3212 F: 260-357-6533



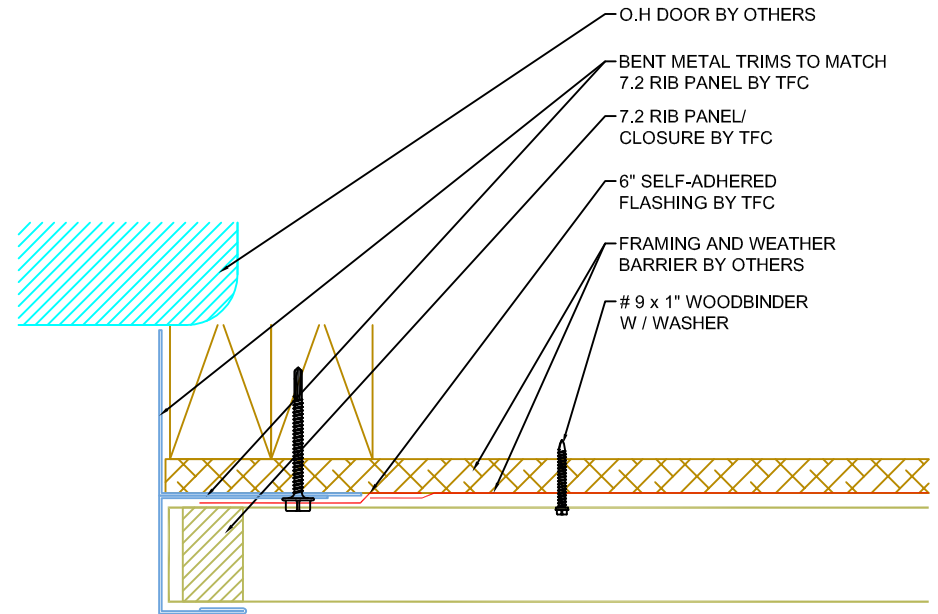
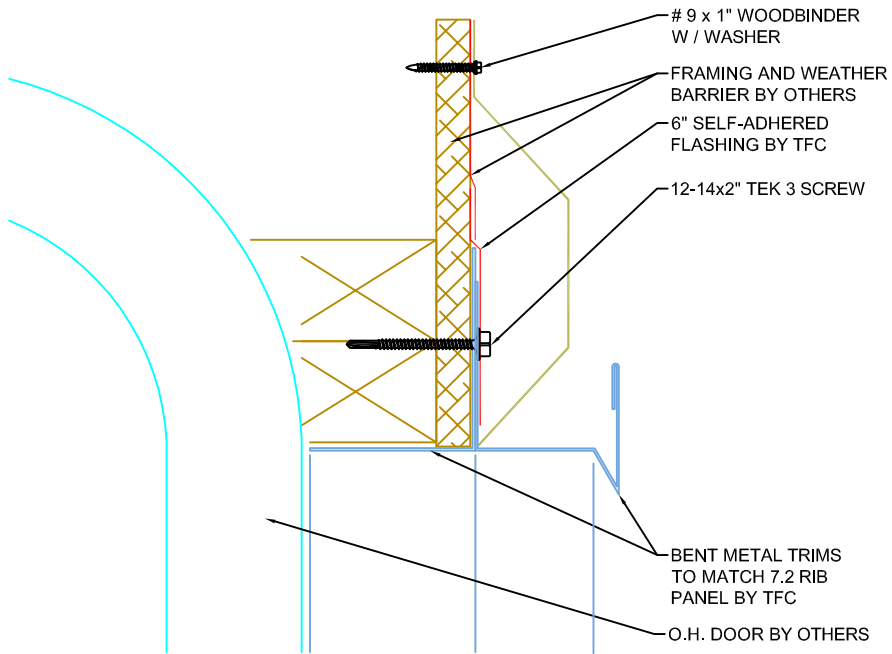
2
A4.0

DETAIL @ WINDOW JAMB
SCALE: 6" = 1' - 0"



TFC SERIES 7.2 RIBBED PANEL SYSTEM

1107 N. TAYLOR RD. - GARRET, IN 46738
P: 800-832-3212 F: 260-357-6533



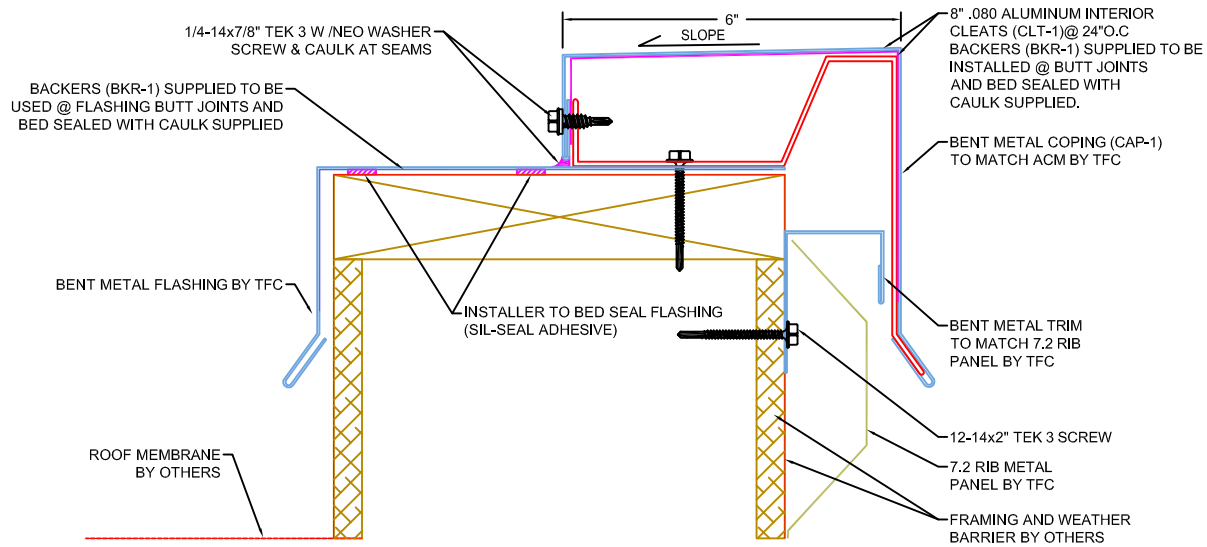
2 DETAIL @ OVERHEAD DOOR
A4.0 SCALE: 6" = 1'-0"

2 PLAN DETAIL @ OVERHEAD DOOR
A4.0 SCALE: 6" = 1'-0"

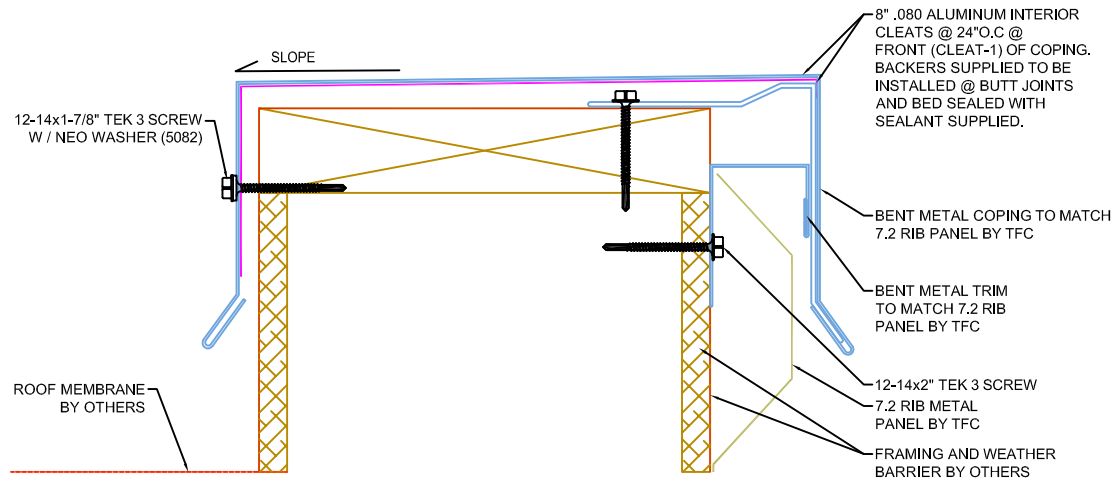


TFC SERIES 7.2 RIBBED PANEL SYSTEM

1107 N. TAYLOR RD. - GARRET, IN 46738
 P: 800-832-3212 F: 260-357-6533



2 DETAIL @ BENT METAL COPING
 A4.0 SCALE: 6"=1'-0"



2 DETAIL @ BENT METAL COPING
 A4.0 SCALE: 6"=1'-0"